

KIT CONTROLADOR + RECEPTOR TIRA RGB



Feature

- High sensitive & high stable touch color wheel, fast & precise color control.
- Enable to control 10 zones separately. Each zone can switch on/off separately. Changing modes of 10 zones can be synchronized without any confusion.
- 10 changing modes. Enable to stay at any color under situation of color changing modes.
- Adjustable changing speed with 8 levels, quickest speed is 4S, slowest speed is 256S.
- Controlling RGBW or RGBY 4 colors that achieve more selectable colors than traditional RGB control.
- To adjust brightness of each color independently that can achieve millions of changing colors
- To work with power repeater to expand output unlimitedly.

Parameter

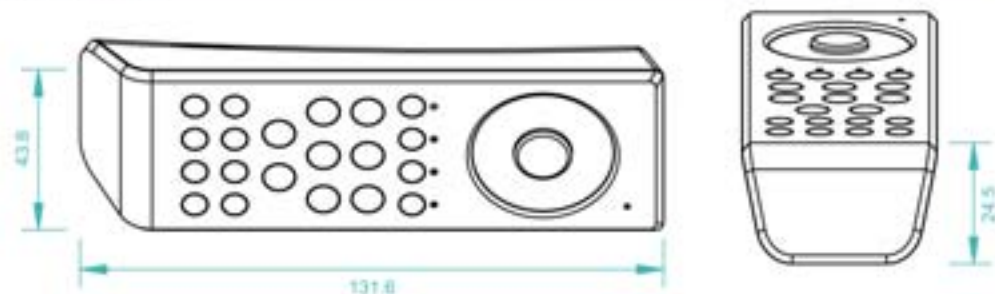
Remote

Operation Voltage	Operation Frequency	DIMENSIONS a/h (mm)	Remarks
4.5VDC	434MHz/868MHz	43.8x131.6x24.5	RF Wireless

Receiver

Input Voltage	Current	Output	Remarks
12-36VDC	4x5A	4x(60-180)W	Constant voltage

Product Size

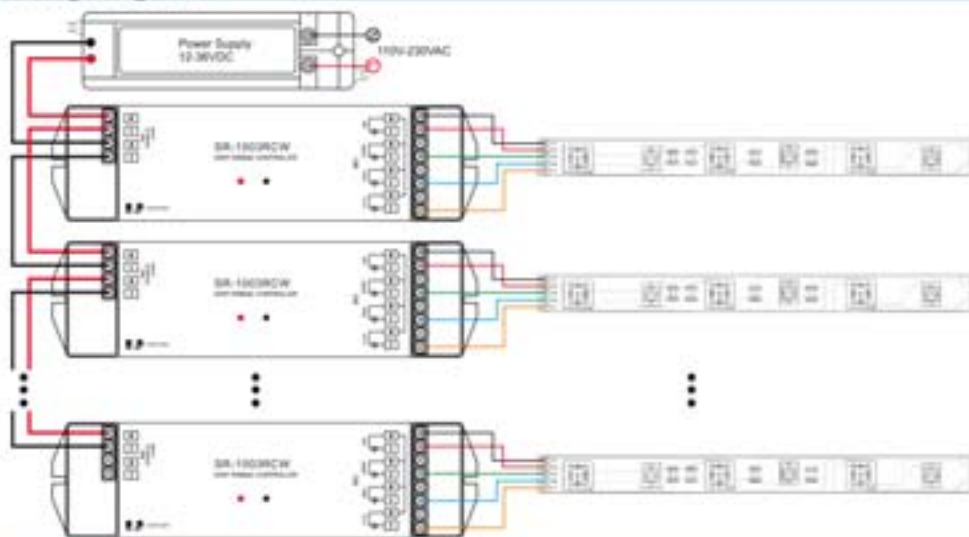


Brief introduction of buttons



- Working status indicator, the sender is in dormant status when the indicator is off. The sender is under working when the indicator is flashing rapidly. If the indicator continues flashing at the frequency of 1 second, it indicates that the sender batteries low and needs to replace new batteries.
 - Touch wheel for selecting R/G/B colors
 - "R" "G" "B" "W" button and indicator
 - Speed down when color is changing • Speed up when color is changing
 - Multifunction button, used for selecting, Synchronous or asynchronous mode
 - Brightness down • Brightness up
 - Multifunction button, used for turn ON/OFF and white output
- Figure 1-10 is for selecting receiver's ID and ID itself to turn ON/OFF

Wiring diagram



Operation

1. Install battery

Initial using easy RGB(W) remote controller, open the battery cover on the back of the sender, load 3pcs 7 AAA (1.5V) batteries. Please pay attention to the battery's negative and positive, otherwise it will fail to work.

2. Receiver learning ID

Initial using easy RGB(W) remote controller must learn the ID of the receiver, the purpose of learning ID code is to make a certain receiver which can correspond the sender.

The method of Receiver learning ID is as follows: press the ID learning button on the sender,



the ID learning indicator is on, then press one of the number button (1-10) on the sender, press the number that you want this receiver to be, E.g. if you want this receiver to be No. 1, please press button 1 first, then touch the wheel, or you can press any functional button on the sender, such as Speed down, Speed up, Brightness down, Brightness up, etc. to transmit signal to the Sender, after Receiver receives the signal from the sender, the indicator will flash a few times and then turns off, then receiver ID is activated. If the ID activation is failed at the first time, please repeat the previous procedures.

Attention: The receiver ID learned by touching color wheel is different from the receiver that learned by pressing function button. The receiver ID learned by touching color wheel that we define it as SLAVE receiver, the receiver ID learned by pressing function button that we define it as MASTER receiver. The purpose of learning these two kinds of receivers is to ensure the receivers and color changing synchronously to avoid the color changing out of order. This point will be noted later.

3. Delete ID and ID re-learning

If you need to delete the ID learned in the receiver, press ID learning button for more than 5 seconds, when learning indicator is off, then the learned ID is deleted. If you need the receiver learn a new ID, repeat the operation of 4.2 (Receiver learning ID).

4. Choose color by touching color wheel

After the receiver learned the ID, you can change each receiver's color by touching color wheel. If you want to change the color of receiver NO.1. Press button, then make rotating touch on color wheel by your figures, at this time, the color of receiver No.1 will be changed constantly, when your favorite color appears, stop rotating and leave the color wheel.

If you need change color of several receivers at the same, just choose a number for these several receivers first, then touch color disc. For example, change color for receivers NO.1, 2, 3,4,5,6

at the same time, you need press number 1 to 6 button first, then touch the color wheel.

5. Select or adjust color by R, G, B, W button

In addition to change the color by touching color wheel, but you can also select the single color through R, G, B, W buttons or adjust the color by color wheel to get your wanted color. For example, you choose a color by touching color wheel and still want add a bit more brightness to red color, just press R button for over 2 seconds, then the indicator of R will be on and red is selected, make clockwise rotation on the color wheel by finger, then the brightness of red will be increased. If you want the red color to be darker, just make counter clockwise rotation on the color wheel. If need to adjust the color brighter or dim several colors at same time, also just choose the colors, such as R,G, then make clockwise rotation or counterclockwise rotation, it can simultaneously adjust the brightness for both colors. If you want to cancel the selected color, just press selected button for 2 seconds, the corresponding color will be off, this color is abandoned.

By pressing of R, G, B, W button, you can turn on/off the corresponding single color. For example, if you want LED lightings to get red, press R for over 1 second, then the red color will be turn on. If you want to turn off red again, press R for 1 second, the red will be off again. The same operation is for other colors.

Note that: if you select a color output, such as red, then you select another color output, such as green. So red and green are output at the same time. If you only need to separate out the second output "green", just turn off the front color "red".

In short, using R, G, B, W buttons and operating color wheel, you can mix more than 100 million colors or any color you want.

Attention: The receiver is under single or multi-color adjustment condition when any single or multi-color is selected. Under this condition, you can only make clockwise rotation or counterclockwise rotation operation to adjust the color. A direct touch on color wheel will not work. Only after exiting from the single or multi-color condition, a direct touch on color wheel will work.

6. Choose color changing mode

Selecting the mode button, receiver change colors according to different modes, a total of 10 built-in color changing modes. If you want one or several receivers under color changing mode,

press number button, and choose receiver number, then press button again. For first press of button, receiver will change according to mode 1, one more time press of button, the receiver will be paused, it will stay at one color under mode 1 condition. Press button again, the color will change according to mode 2, press button one more time, it will be paused at one color under mode 2. Press button for seconds, the receiver will keep changing as follows:

MODE1---STOP---MODE2---STOP---MODE3---STOP---MODE4---STOP---MODE5---STOP---MODE6---STOP---MODE7---STOP---MODE8---STOP---MODE9---STOP---MODE10---OFF---MODE1.....

The receiver will be at one of static colors by touching the color wheel in color changing modes. Then press M button, receiver will be changed as Mode 1 again.

7. Brightness adjustment

Under the static color status or color changing status, you can adjust the brightness by press B and pressing button to increase the brightness. The brightness is divided into 8 levels, the minimum is 10%, and the maximum is 100%.

8. Changing speed adjustment

Under color changing mode, you can slow down the changing speed by pressing button, or speed up changing speed by pressing button, 16 speed levels in total are available. The maximum changing cycle is 4 seconds; the minimum changing cycle is 256 seconds.

Safety & Warnings

- 1) The product shall be installed and serviced by a qualified person.
- 2) IP20. Please avoid the sun and rain. When installed outdoors, please ensure it is mounted in a water proof enclosure.
- 3) Always be sure to mount this unit in an area with proper ventilation to avoid overheating.
- 4) Please check if the output voltage of any LED power supplies used comply with the working voltage of the product.
- 5) Never connect any cables while power is on and always assure correct connections to avoid short circuits before switching on.
- 6) Please ensure that the cable is secured tightly in the connector
- 7) For update information please consult your supplier.

Warranty Agreement

- 1) We provide lifelong technical assistance with this product:
 - 3-year warranty. We print date on every products, for example :1125 means year 2011, week 25. The warranty is for free repair or replacement and covers manufacturing faults only.
 - For faults beyond the 3-year warranty we reserve the right to charge for time and parts.
- 2) Limited Warranty
 - Any defects caused by wrong operation.
 - Any damages caused by unauthorized removal, maintenance, modifying, incorrect connection and replacement of chips.
 - Any damages due to transportation, vibration etc. after purchase.
 - Any damages caused by earthquake, fire, lightning, pollution and abnormal voltage.
 - Any damages caused by negligence, inappropriate storing at high temperatures and humidity or near harmful chemicals.
 - Product has been updated
- 3) Repair or replacement as provided under this warranty is the exclusive remedy to the customer.