

Campanas UFO Next

UFO Next LED Highbays

GARANTÍA 5 AÑOS
5 YEARS WARRANTY



DESCRIPCIÓN - DESCRIPTION

Campanas LED UFO disponibles en 150W y 200W de potencia con temperatura de color 4000K o 5000K. Ideal para iluminación industrial. Regulable 1-10V. Clase de eficiencia energética B.

UFO LED high bays available in 150W and 200W power with 4000K or 5000K color temperature. Ideal for industrial lighting. Dimmable 1-10V. Energy efficiency class B.

ENLACES RELACIONADOS - RELATED LINKS

- [Declaración de conformidad CE / CE Declaration of Conformity \(ES\), \(EN\)](#)
- [Manual de Instrucciones \(ES\)](#)
- [ISO 9001](#)
- [ISO 14001](#)

GARANTÍA - WARRANTY

ALG le ofrece una garantía de **5 años** desde la fecha de compra.

ALG offers you a 5-year warranty from the date of purchase.



ALG dispone de un Sistema de Gestión de la Calidad según la norma ISO 9001 desde 1998 y desde el año 2021 estamos certificados con la norma 14001 para mejor conservación y protección del Medio Ambiente

ALG has a Quality Management System according to the ISO 9001 standard since 1998 and since 2021 we have been certified with the 14001 standard for better conservation and protection of the Environment.

INFORMACIÓN TÉCNICA · TECHNICAL INFORMATION

DATOS COMERCIALES / COMMERCIAL DATA

| | | | | |
|-----------|---------------------------|---------------------------|---------------------------|---------------------------|
| CODE | 67825 | 67699 | 67826 | 67730 |
| REFERENCE | CAMPANA UFO NEXT 150W 40K | CAMPANA UFO NEXT 150W 50K | CAMPANA UFO NEXT 200W 40K | CAMPANA UFO NEXT 200W 50K |

DATOS ELECTRICOS / ELECTRICAL DATA

| | | | | |
|------------------|----------|----------|----------|----------|
| INPUT VOLTAGE | 220-240V | 220-240V | 220-240V | 220-240V |
| FREQUENCY | 50Hz | 50Hz | 50Hz | 50Hz |
| POWER | 150W | 150W | 200W | 200W |
| POWER FACTOR | 0,98 | 0,98 | 0,99 | 0,99 |
| FLICKER (PST LM) | <0,04 | <0,04 | <0,04 | <0,04 |
| IEC PROTECTION | Class I | Class I | Class I | Class I |

DATOS FOTOMÉTRICOS / PHOTOMETRIC DATA

| | | | | |
|---------------------|---------------|---------------|---------------|---------------|
| EFFICACY (LM/W) | 160lm/W | 160lm/W | 160lm/W | 160lm/W |
| LUMINOUS FLUX (LM) | 24000lm | 24000lm | 32000lm | 32000lm |
| CCT (KELVIN) | 4000K | 5000K | 4000K | 5000K |
| CRI | 80 | 80 | 80 | 80 |
| BEAM ANGLE | 120° | 120° | 120° | 120° |
| LUMEN MAINT. FACTOR | L80B50>50000H | L80B50>50000H | L80B50>50000H | L80B50>50000H |

VIDA ÚTIL Y MEDIO AMBIENTE / LIFESPAN & ENVIRONMENTAL DATA

| | | | | |
|---------------|--------------|--------------|--------------|--------------|
| ENERGY CLASS | B | B | B | B |
| CONSUMPTION | 150kWh/1000h | 150kWh/1000h | 200kWh/1000h | 200kWh/1000h |
| LIFESPAN | 50000h | 50000h | 50000h | 50000h |
| ON/OFF CICLES | 25000 | 25000 | 25000 | 25000 |
| WORKING TEMP. | -20°C~+50°C | -20°C~+50°C | -20°C~+50°C | -20°C~+50°C |

FUENTE DE ALIMENTACIÓN / DRIVER

| | | | | |
|------------------|-------|-------|-------|-------|
| DRIVER BRAND | SOSEN | SOSEN | SOSEN | SOSEN |
| DIMMABLE | 1-10V | 1-10V | 1-10V | 1-10V |
| SURGE PROTECTION | 6KV | 6KV | 6KV | 6KV |

CARACTERÍSTICAS FÍSICAS / PHYSICAL CHARACTERISTICS

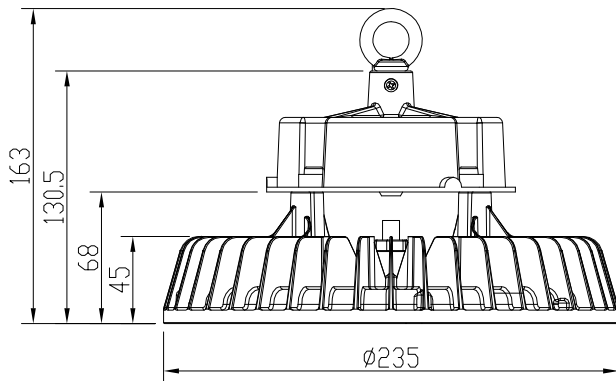
| | | | | |
|-------------------|----------------------|----------------------|----------------------|----------------------|
| SIZE | Ø235*161mm | Ø235*161mm | Ø265*165mm | Ø265*165mm |
| COLOR | Negro · Black · Noir | Negro · Black · Noir | Negro · Black · Noir | Negro · Black · Noir |
| WEIGHT | 2,5kg | 2,5kg | 2,9kg | 2,9kg |
| IP PROTECTION | IP65 | IP65 | IP65 | IP65 |
| IK PROTECTION | IK07 | IK07 | IK07 | IK07 |
| BODY MATERIAL | ALUMINIUM | ALUMINIUM | ALUMINIUM | ALUMINIUM |
| DIFFUSER MATERIAL | PC | PC | PC | PC |

EMBALAJE / PACKAGING

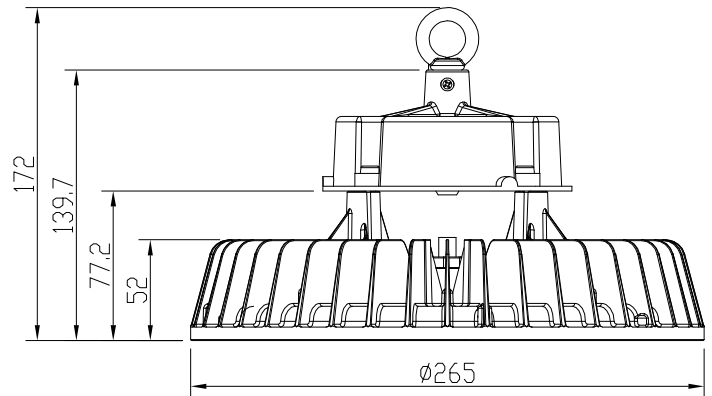
| | | | | |
|-----------------|---------------------------|---------------------------|---------------------------|---------------------------|
| CODE | 67825 | 67699 | 67826 | 67730 |
| REFERENCE | CAMPANA UFO NEXT 150W 40K | CAMPANA UFO NEXT 150W 50K | CAMPANA UFO NEXT 200W 40K | CAMPANA UFO NEXT 200W 50K |
| UNITS OUTER BOX | 1 | 1 | 1 | 1 |
| SIZE OF BOX | L285*W285*H170mm | L285*W285*H170mm | L315*W315*H180mm | L315*W315*H180mm |
| GROSS WEIGHT | 3,1KG | 3,1KG | 3,8KG | 3,8KG |

DIMENSIONES - SIZE

150W

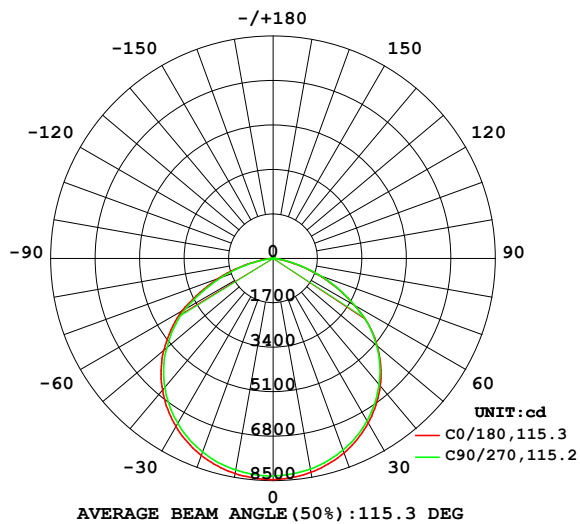


200W



DISTRIBUCIÓN LUMÍNICA - LIGHT DISTRIBUTION DIAGRAM

150W



200W

