



Wechat



Linkedin



Website



Scan to get online Product Catalog



**SHENZHEN SOSEN
ELECTRONICS CO.,LTD**

📍 10F, Pengzhanhui No 1 Building, Zhongxin Road No 233, Xinqiao Street, Baoan District, Shenzhen, China.

☎ +86-755-29358800 🌐 www.en.sosen.com

📠 +86-755-29358816 +1 470-657-2408(USA)

✉ North America info.usa@sosen.com	✉ Europe info.eu@sosen.com
✉ Middle East info.middleeast@sosen.com	✉ South America info.latam@sosen.com
✉ Southeast Asia info.southeastasia@sosen.com	✉ China sales@sosen.com



POWER YOUR VISION



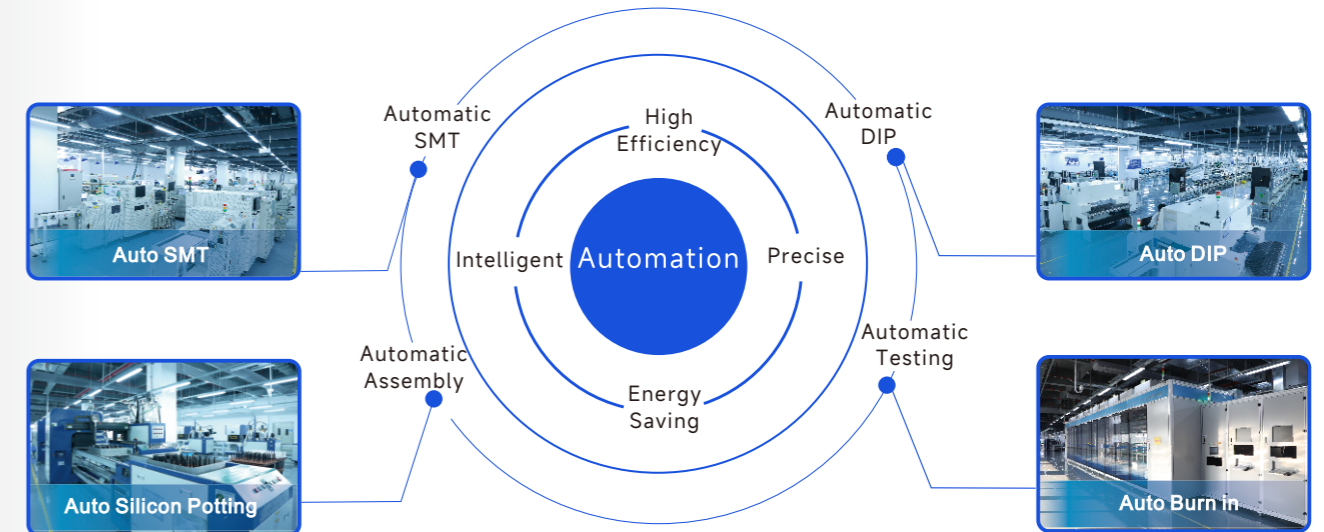
Shenzhen SOSEN Electronics Co., Ltd., established in 2011, is an enterprise integrating R&D, manufacturing, and sales of high-power LED Drivers. SOSEN's products are widely used in outdoor, industrial, horticulture, sports lighting, and other fields. In June 2021, SOSEN was listed on the stock market with stock code: 301002.

SOSEN independently masters several core technologies of LED Drivers and has an enterprise technology center. As of the end of June 2024, SOSEN and its subsidiaries have 181 authorized patents and more than 200 product certifications, including CCC, UL, ENEC, TUV, RCM, PSE, KC, and EAC.

Headquartered in Shenzhen, China, SOSEN operates an intelligent manufacturing base of more than 70,000 square meters in Zhongshan, China. Continuing to increase investment in R&D, SOSEN takes innovation and quality as its core competitiveness and is committed to becoming an outstanding global company.

With subsidiaries or production bases in Hong Kong, Europe, North America, South America, and Southeast Asia, our sales and marketing network spans most regions worldwide. Together with our global partners, we integrate our understanding of technology and innovation to build a brighter future.

POWER YOUR VISION



SS-200VP-H56*

Company name

SS: SOSEN

Output power

60	60W
100	100W
200	200W
320	320W
600	600W
1800	1800W

Product series

M	M series
CP	CP series
VP-H	VP-H series
NP-M	NP-M series

Options

*	Basic model
B	3-in-1 dimming
BH	3-in-1 dimming+AUX
T	Timing
DH	DALI+AUX
D	DALI
F	D4i +NFC Programmer
BHN	3-in-1 dimming+AUX+NTC
DHN	DALI dimming+AUX+NTC
XN	DMX-RDM dimming+NTC
.....	Please refer to spec for more details

Vout max

56	22-56
130	70-130
343	171-343
428	214-428

Application	Outdoor	Horticulture	Sports	Industrial	Commercial	Accessories
Series	VH-E VH-A VH-P VH VA GA-E PA EP-M M VP VP-H	VP VP-H VP-E VP-G M MS L-N RUN RUN-M NP NP-M	VP MS NP NP-M NS-V	CNH SNH CNL-E CNL-G SN-E CNS SA CA CP CF	NH-V NM-V NL-E NH-E NM-A NS L-E EP-M	DMXRC OPXS SPD

SERIES	Feature	Page
VH-E	40-240W, 100-277Vac, 3-in-1 dimming, IP67	5
VH-A	25-250W, 100-277Vac, 3-in-1 dimming, IP67, Class I/Class II	7
VH-P	25-60W, 100-277Vac, 3-in-1 dimming, IP65, Class I/Class II	9
VH	75-240W, 100-277Vac, 3-in-1 dimming, IP67	11
VA	25-240W, 100-277Vac, 3-in-1 dimming, IP67	13
GA-E	30-250W, 100-277Vac, 3-in-1/DALI-2 dimming, IP67, Class I/Class II	15
PA	22-220W, 220-240Vac, 3-in-1/DALI-2/D4i dimming, IP20, Class I/Class II	17
EP-M	55-190W, 120-347Vac, 3-in-1 dimming, Class 2	19
VP	50-1500W, 100-277Vac, 3-in-1/DALI-2 dimming, IP67	21
VP-H	200-880W, 100-277Vac, 3-in-1/DALI-2 dimming, IP67	23
M	100-880W, 200/220/277-480Vac, 3-in-1 dimming, IP67	25
MS	500-1200W, 200-480Vac, 3-in-1/DALI-2 dimming, IP67	27
VP-E	600-1000W, 120-277Vac, 3-in-1 dimming, IP67	29
VP-G	730-1200W, 200-277Vac, 3-in-1 dimming, IP67	31
L-N	Non-isolated, 650-1000W, 200-277Vac, 3-in-1 dimming, IP67	33
RUN	Slim, Non-isolated, 400/600W, 100-277Vac, 3-in-1 dimming, IP67	35
RUN-M	Slim, Non-isolated, 400/600W, 200-480Vac, 3-in-1 dimming, IP67	37
NP	Non-isolated, 500-880W, 100-277Vac, 3-in-1 dimming, IP67	39
NP-M	Non-isolated, 680-1200W, 200-480Vac, 3-in-1/DALI-2/DMX dimming, IP67	41
NS-V	Non-isolated, 1200-1800W, 200-480Vac, DMX-RDM dimming, IP66	43
CNH	Circle, Non-isolated, 100-240W, 100-277Vac, DIP switch power/CCT, IP65, Smart programming	45
SNH	Circle, Non-isolated, 100-240W, 120-347Vac, DIP switch power/CCT, IP65, Smart programming	47
CNL-E	Circle, Non-isolated, 80-320W, 120-277Vac, DIP switch power/CCT, 3-in-1/DALI-2 dimming, IP65	49
CNL-G	Circle, Non-isolated, 100-240W, 220-240Vac, DIP switch power/CCT, 3-in-1 dimming, IP65	51
SN-E	Circle, Non-isolated, 120-320W, 120-347Vac, DIP switch power/CCT, 3-in-1 dimming, IP65	53
CNS	Circle, Non-isolated, 120-320W, 277-480Vac, DIP switch power/CCT, 3-in-1 dimming, IP65	55
SA	Circle, 100-240W, 277-480Vac, 3-in-1 dimming, IP65	57
CA	Circle, 100-480W, 100-277Vac, 3-in-1/DALI-2 dimming, IP65	59
CP	Circle, 100-240W, 120-277Vac, 3-in-1 dimming, IP65	61
CF	Circle, Explosion proof driver, 40-120W, 100-240Vac, 3-in-1 dimming, IP65	63
NH-V	Non-isolated, 80-320W, 100-277Vac, Connector, Smart programming	65
NM-V	Non-isolated, 80-320W, 120-347Vac, Connector, Smart programming	67
NL-E	Non-isolated, 40-240W, 120-277Vac, 3-in-1 dimming	69
NH-E	Non-isolated, 60-450W, 120-277Vac, 3-in-1/DALI-2 dimming, DIP switch power/Sensor	71
NM-A	Non-isolated, 80-320W, 120-347Vac, 3-in-1 dimming, DIP switch power/Sensor	73
NS	Non-isolated, 120-320W, 277-480Vac, 3-in-1 dimming, DIP switch power/Sensor	75
L-E	80/100W, 120-277Vac, 3-in-1 dimming	77
DMXRC	DMX decoded and converted to 0-10V analog dimming signal	79
OPXS	OPX	79
SPD	10kV/20kV Surge Protection, 100-277Vac	80

VH-E Series-----40-240W, 100-277Vac, 0-10V/PWM/Resistor dimming, IP67



Features

- ▶ Input voltage:100-277Vac
- ▶ Efficiency up to 94.5%
- ▶ Flicker free
- ▶ Programmable (AOC, CLO, SSA, ELA)
- ▶ 10kV/6kV surge protection
- ▶ 0-10V/PWM/Resistor isolated dimming
- ▶ Positive or negative logic dimming
- ▶ Dim to off
- ▶ Type HL, suitable for hazardous locations
- ▶ Protections: SCP/OTP/OVP
- ▶ IP67
- ▶ 5 years warranty

Power Levels

40W 60W 75W 100W 150W 200W 240W

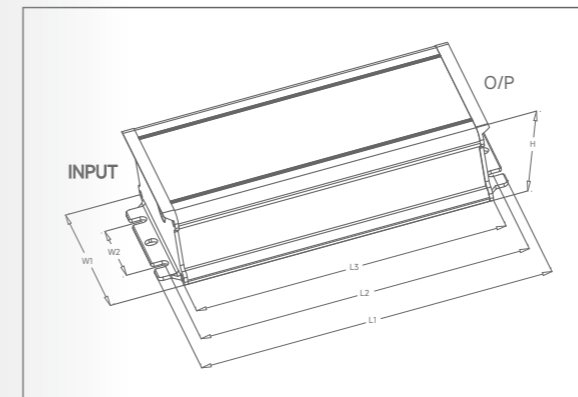
Applications

Street light, Wallpack, Flood light, Tunnel light

Certificates



Dimension



Units : mm

Model	L1	L2	L3	W1	W2	H
40VH-E	105	100	92	66	32	31.5
60VH-E	118	111	101	66	32	31.5
75/100VH-E	145	136	128	66	32	35
150/200VH-E	165	156	148	66	32	37
240VH-E	180	171	163	66	32	37

Specification

Output Power(W)	Model	Output Voltage(V)	Output Current(A)	Efficiency	PF	Dimension (L*W*H)mm
40	SS-40VH-E54B	27-54	0.10-1.10	86.0%	0.97	105*66*31.5
40	SS-40VH-E72B	36-72	0.10-0.80	86.5%	0.97	105*66*31.5
60	SS-60VH-E54B	27-54	0.35-1.67	87.5%	0.97	118*66*31.5
60	SS-60VH-E86B	43-86	0.35-1.10	87.5%	0.97	118*66*31.5
75	SS-75VH-E72B	36-72	0.35-1.50	91.0%	0.97	145*66*35
75	SS-75VH-E108B	54-108	0.1-1.05	91.0%	0.97	145*66*35
100	SS-100VH-E95B	48-95	0.35-1.50	91.0%	0.98	145*66*35
100	SS-100VH-E143B	72-143	0.1-1.05	91.0%	0.98	145*66*35
100	SS-100VH-E286B	143-286	0.1-0.55	91.0%	0.98	145*66*35
150	SS-150VH-E56B	28-56	0.7-4.2	93.0%	0.98	165*66*37
150	SS-150VH-E143B	72-143	0.35-1.50	93.5%	0.98	165*66*37
150	SS-150VH-E215B	108-215	0.1-1.05	94.0%	0.98	165*66*37
150	SS-150VH-E286B	143-286	0.1-0.7	94.0%	0.98	165*66*37
200	SS-200VH-E56B	28-56	0.7-5.6	93.0%	0.98	165*66*37
200	SS-200VH-E143B	72-143	0.35-2.10	94.5%	0.98	165*66*37
200	SS-200VH-E191B	95-191	0.35-1.50	94.5%	0.98	165*66*37
200	SS-200VH-E286B	143-286	0.1-1.05	94.5%	0.98	165*66*37
240	SS-240VH-E56B	28-56	0.7-6.7	94.0%	0.98	180*66*37
240	SS-240VH-E229B	114-229	0.35-1.50	94.5%	0.98	180*66*37
240	SS-240VH-E343B	171-343	0.1-1.05	94.5%	0.98	180*66*37

Note: *=B, 0-10V/PWM/Resistor dimming
Please refer to spec for more details.

VH-A Series-----25-250W, 100-277Vac, 0-10V/PWM/Resistor dimming, IP67, Class I/Class II



Features

- ▶ Input voltage:100-277Vac
- ▶ Efficiency up to 94.5%
- ▶ Flicker free (≥75W)
- ▶ Programmable (AOC, CLO, SSA, ELA)
- ▶ 10kV/6kV surge protection
- ▶ 0-10V/PWM/Resistor isolated dimming
- ▶ Positive or negative logic dimming
- ▶ Dim to off
- ▶ Class I/Class II
- ▶ Protections: SCP/OTP/OVP
- ▶ IP67
- ▶ 5 years warranty

Power Levels

25W 40W 60W 75W 100W 150W 200W 250W

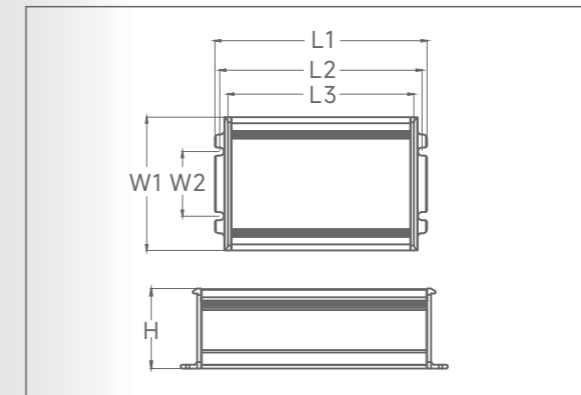
Applications

Street light, Tunnel light, Flood light, High mast light, Highbay

Certificates



Dimension



Units: mm

Model	L1	L2	L3	W1	W2	H
25/40/60VH-A	105	100	92	66	32	31.5
75/100VH-A	138	129	121	66	32	35
150VH-A	165	158	149	66	32	35
200VH-A	165	158	149	66	32	37
250VH-A	180	171	163	66	32	37

Specification

Output Power(W)	Model	Output Voltage(V)	Output Current(A)	Efficiency	PF	Dimension (L*W*H)mm
25	SS-25VH-A62*	30-62	0.1-0.66	87.0%	0.97	105*66*31.5
40	SS-40VH-A62*	30-62	0.35-1.05	88.0%	0.97	105*66*31.5
60	SS-60VH-A54*	27-54	0.35-1.67	89.0%	0.97	105*66*31.5
60	SS-60VH-A86*	43-86	0.35-1.1	90.0%	0.97	105*66*31.5
75	SS-75VH-A62*	30-62	0.35-2.1	88.5%	0.97	138*66*35
75	SS-75VH-A108*	54-108	0.1-1.05	90.5%	0.97	138*66*35
100	SS-100VH-A62*	30-62	0.35-2.85	90.0%	0.97	138*66*35
100	SS-100VH-A143*	71-143	0.1-1.05	91.0%	0.97	138*66*35
150	SS-150VH-A62*	30-62	0.35-3.75	92.0%	0.97	165*66*35
150	SS-150VH-A215*	107-215	0.1-1.05	94.0%	0.97	165*66*35
200	SS-200VH-A62*	30-62	0.7-5.0	93.0%	0.97	165*66*37
200	SS-200VH-A286*	143-286	0.1-1.05	94.5%	0.97	165*66*37
250	SS-250VH-A358*	179-358	0.1-1.05	94.5%	0.97	180*66*37

Note: *=B, 0-10V/PWM/Resistor dimming (Class I)
 BE, 0-10V/PWM/Resistor dimming (Class II)
 Please refer to spec for more details.

VH-P Series-----25-60W, 100-277Vac, 0-10V/PWM/Resistor dimming, IP65, Class I/Class II



Features

- ▶ Input voltage:100-277Vac
- ▶ Efficiency up to 90%
- ▶ Programmable (AOC, CLO, SSA, ELA)
- ▶ 6kV/6kV surge protection
- ▶ 0-10V/PWM/Resistor isolated dimming
- ▶ Positive or negative logic dimming
- ▶ Dim to off
- ▶ Class I/Class II
- ▶ Protections: SCP/OVP
- ▶ IP65
- ▶ 5 years warranty

Power Levels

25W 40W 60W

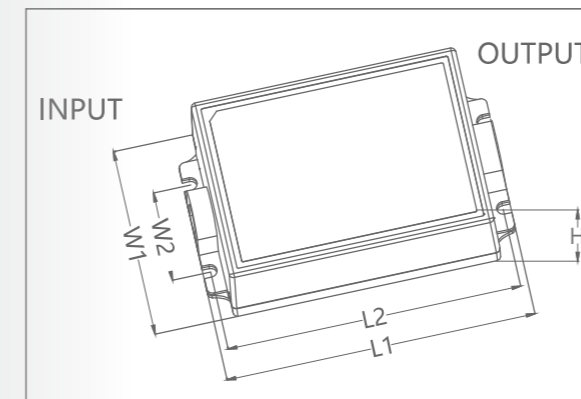
Applications

Street light, Tunnel light, Flood light, High mast light, Highbay

Certificates



Dimension



Units : mm

Model	L1	L2	L3	W1	W2	H
25/40/60VH-P	105	100	92	66	32	35

Specification

Output Power(W)	Model	Output Voltage(V)	Output Current(A)	Efficiency	PF	Dimension (L*W*H)mm
25	SS-25VH-P62*	30-62	0.1-0.66	88.0%	0.97	105*66*35
40	SS-40VH-P62*	30-62	0.1-1.05	88.0%	0.97	105*66*35
60	SS-60VH-P54*	27-54	0.35-1.67	89.0%	0.97	105*66*35
60	SS-60VH-P86*	43-86	0.35-1.1	90.0%	0.97	105*66*35

Note: *=B, 0-10V/PWM/Resistor dimming(Class I)
 BE, 0-10V/PWM/Resistor dimming (Class II)
 Please refer to spec for more details.

VH Series-----75-240W, 100-277Vac, 0-10V/PWM/Resistor dimming, IP67



Features

- ▶ Input voltage:100-277Vac
- ▶ Efficiency up to 95%
- ▶ Programmable (AOC, CLO, SSA, ELA)
- ▶ 10kV/6kV surge protection
- ▶ 0-10V/PWM/Resistor isolated dimming
- ▶ Positive or negative logic dimming
- ▶ Dim to off
- ▶ Type HL, suitable for hazardous locations
- ▶ Protections: SCP/OTP/OVP/OPP
- ▶ IP67
- ▶ 8 years warranty

Power Levels

75W 100W 150W 200W 240W

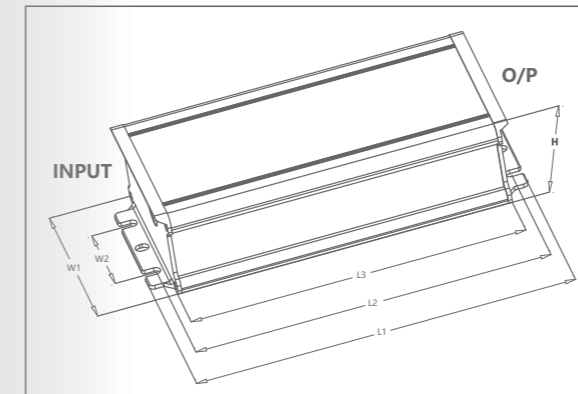
Applications

Street light, Wallpack, Flood light, Tunnel light

Certificates



Dimension



Units : mm

Model	L1	L2	L3	W1	W2	H
75VH/100VH	145	136	128	66	32	35
150VH	165	156	148	66	32	37
200VH	180	171	163	66	32	37
240VH	195	186	178	66	32	39

Specification

Output Power(W)	Model	Output Voltage(V)	Output Current(A)	Efficiency	PF	Dimension (L*W*H)mm
75	SS-75VH-56B	28-56	0.35-2.1	90.5%	0.97	145*66*35
96	SS-100VH-56B	28-56	0.35-2.66	90.5%	0.97	145*66*35
150	SS-150VH-56B	28-56	0.7-4.2	93.0%	0.98	165*66*37
200	SS-200VH-56B	28-56	0.7-5.6	94.0%	0.98	180*66*37
240	SS-240VH-56B	28-56	0.7-6.7	95.0%	0.98	195*66*39

Note: *=B, 0-10V/PWM/Resistor dimming
Please refer to spec for more details.

VA Series-----25-240W, 100-277Vac, 1-10V/PWM/Resistor dimming, IP67



Features

- ▶ Input voltage:100-277Vac
- ▶ Efficiency up to 93%
- ▶ Flicker Free(except VA-T/VA-L)
- ▶ 10kV/6kV surge protection
- ▶ 1-10V/PWM/Resistor isolated dimming
- ▶ Type HL, suitable for hazardous locations
- ▶ Protections: SCP/OTP/OVP/OPP
- ▶ IP67
- ▶ 5 years warranty

Power Levels

25W 30W 35W 40W 50W 60W 75W 100W 120W 150W 200W 240W

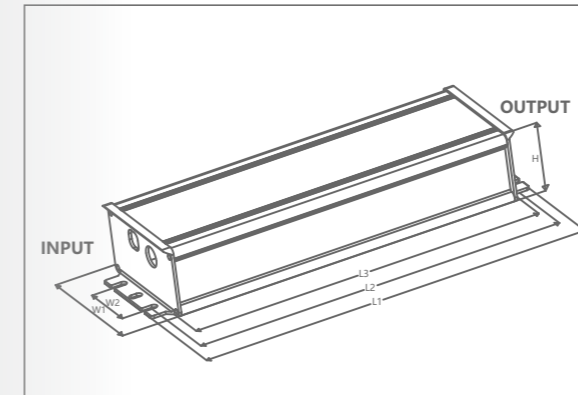
Applications

Street light, Tunnel light, Wallpack, Flood light

Certificates



Dimension



Units : mm

Model	L1	L2	L3	W1	W2	H
25/35VA-L	120	113.1	107	50	18.2	31
40VA-T/50VA-L	132	125.1	119	50	18.2	31
30/50VA/60VA-T/60VA-L	105	100	92	66	32	31.5
75VA	172	157	147	66	32	35.5
100/120VA	179	164	154	66	32	35.5
150VA	201	186	176	71	34	39.6
200VA	222	207	197	71	34	39.6
240VA	244	229	219	71	34	39.6

Specification

Output Power(W)	Model	Output Voltage(V)	Output Current(A)	Efficiency	PF	Dimension (L*W*H)mm
25	SS-25VA-L50*	28- 50	0.4- 0.66	88.0%	0.97	120*50*31
35	SS-35VA-L50*	28- 50	0.55- 0.92	89.0%	0.97	120*50*31
50	SS-50VA-L50*	28- 50	0.8-1.32	89.0%	0.97	132*50*31
60	SS-60VA-L50*	28- 50	0.96-1.66	89.0%	0.97	105*66*31.5
30	SS-30VA-56*	22- 56	0.45- 0.95	86.0%	0.97	105*66*31.5
40	SS-40VA-T50*	28-50	0.64-1.1	89.0%	0.97	132*50*31
50	SS-50VA-56*	22- 56	0.7- 1.55	88.0%	0.97	105*66*31.5
60	SS-60VA-T50*	28-50	0.96-1.66	89.0%	0.97	105*66*31.5
75	SS-75VA-56*	22- 56	1.2- 2.4	88.0%	0.97	172*66*35.5
96	SS-100VA-40*	22- 40	2.3- 3.0	90.0%	0.98	179*66*35.5
96	SS-100VA-56*	22- 56	1.6- 2.3	91.0%	0.98	179*66*35.5
112	SS-120VA-56*	22- 56	1.6- 3.5	91.0%	0.98	179*66*35.5
150	SS-150VA-56*	22- 56	2.1- 4.2	93.0%	0.98	201*71*39.6
200	SS-200VA-56*	22- 56	2.8- 5.6	93.0%	0.98	222*71*39.6
240	SS-240VA-56*	22- 56	3.3- 6.7	93.0%	0.98	244*71*39.6

Note: *=B, 1-10V/PWM/Resistor dimming,
 T, Timming (Programmable), VA-L, 0-10V/PWM/Resistor dimming,
 Blank, ON-OFF Version
 Please refer to spec for more details.

GA-E Series-----30-250W, 100-277Vac, 0-10V/PWM/Resistor/DALI-2 dimming, IP67, Class I/Class II



GA-E

Features

- ▶ Input voltage: 100-277Vac
- ▶ Full power working voltage: 180-277Vac
- ▶ Efficiency up to 94.5%
- ▶ Flicker Free
- ▶ Programmable(AOC, CLO, SSA, ELA), NFC program(DALI-2)
- ▶ 10kV/6kV surge protection
- ▶ 0-10V/PWM/Resistor isolated dimming/DALI-2(251/252/253)
- ▶ Positive or negative logic dimming
- ▶ Dim to off
- ▶ Class I/Class II
- ▶ Protections: SCP/OTP/OVP/OPP
- ▶ IP67
- ▶ 5 years warranty

Power Levels

30W 50W 75W 100W 150W 200W 250W

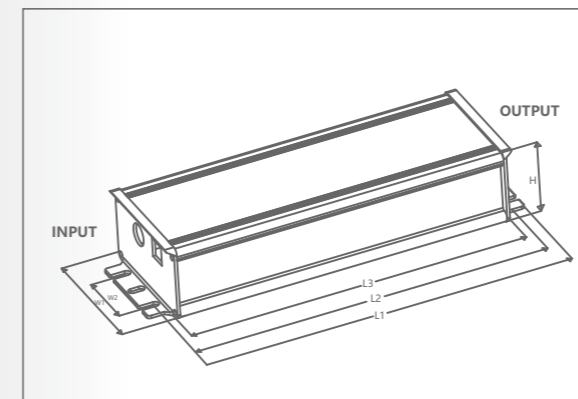
Applications

Street light, Tunnel light, Flood light, High mast light, Highbay, Horticulture light, Sports light

Certificates



Dimension



Units : mm

Model	L1	L2	L3	W1	W2	H
30/50GA-E	105	100	92	66	32	31.5
75/100GA-E	133	124	116	66	32	35
150GA-E	165	156	148	66	32	35
200GA-E	165	156	148	66	32	37
250GA-E	180	171	163	66	32	37

Specification

Output Power(W)	Model	Output Voltage(V)	Output Current(A)	Efficiency	PF	Dimension (L*W*H)mm
30	SS-30GA-E62*	30-62	0.1-0.8	87.0%	0.97	105*66*31.5
30	SS-30GA-E100*	50-100	0.1-0.5	87.0%	0.97	105*66*31.5
50	SS-50GA-E62*	30-62	0.1-1.3	88.0%	0.97	105*66*31.5
50	SS-50GA-E100*	50-100	0.1-0.8	88.5%	0.97	105*66*31.5
75	SS-75GA-E62*	30-62	0.35-2.1	88.0%	0.97	138*66*35.5
75	SS-75GA-E108*	54-108	0.1-1.05	89.0%	0.97	138*66*35.5
75	SS-75GA-E143B/BE	72-143	0.1-0.7	89.0%	0.97	138*66*35.5
100	SS-100GA-E62*	30-62	0.35-2.85	89.0%	0.97	138*66*35.5
100	SS-100GA-E95B/BE	48-95	0.35-1.5	90.0%	0.97	138*66*35.5
100	SS-100GA-E143*	71-143	0.1-1.05	90.0%	0.97	138*66*35.5
150	SS-150GA-E62*	30-62	0.35-3.75	91.5%	0.97	165*66*35
150	SS-150GA-E143B/BE	72-143	0.35-1.5	92.5%	0.97	165*66*35
150	SS-150GA-E215*	107-215	0.1-1.05	93.0%	0.97	165*66*35
200	SS-200GA-E62*	30-62	0.7-5.0	92.0%	0.97	165*66*37
200	SS-200GA-E286*	143-286	0.1-1.05	94.0%	0.97	165*66*37
200	SS-200GA-E378B/BE	189-378	0.1-0.7	94.0%	0.97	165*66*37
250	SS-250GA-E62*	30-62	0.7-6.25	92.5%	0.97	180*66*37
250	SS-250GA-E358*	179-358	0.1-1.05	94.0%	0.97	180*66*37
250	SS-250GA-E453B/BE	236-453	0.1-0.7	94.5%	0.97	180*66*37

Note: *=B, 0-10V/PWM/Resistor dimming (Class I)
 BE, 0-10V/PWM/Resistor dimming (Class II)
 D, DALI dimming(Class I)
 DE, DALI dimming (Class II)
 Please refer to spec for more details.

PA Series-----22-220W, 220-240Vac, 0-10V/PWM/Resistor/DALI-2/D4i dimming, IP20, Class I/Class II



Features

- ▶ Input voltage: 220-240Vac
- ▶ Efficiency up to 95%
- ▶ Flicker free
- ▶ NFC program (AOC, CLO, SSA, ELA)
- ▶ 10kV/6kV surge protection
- ▶ 1-10V/PWM/Resistor/DALI-2/AC/Timing dimming
- ▶ Built-in 16Vdc DALI-2 bus power supply
- ▶ AUX: 24Vdc
- ▶ Built-in AC power metering with up to ±1% accuracy
- ▶ Standby power<0.5W
- ▶ Class I/Class II
- ▶ IP20(Suitable for light >IP54)
- ▶ Installation dimensions conform to Zhaga Interface Specification Book 13
- ▶ 5 years warranty(0-10V/PWM/Resistor Version)
- ▶ 8 years warranty(D4i/DALI-2 Version)

Power Levels

22W 40W 75W 110W 165W 220W

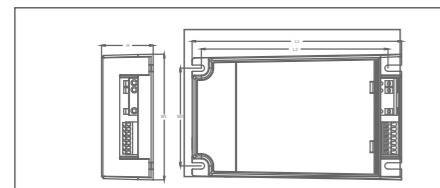
Applications

Street light, Tunnel light, Flood light, High mast light, Highbay, Horticulture light, Sports light

Certificates



Dimension



Model	Units : mm				
	L1	L2	W1	W2	H
22PA-B/22PA-D/40PA-B/40PA-D	123	111	79	/	31
20PA-F/40PA-F/75PA-B/110PA-B/110PA-D	133	122	77	/	37
75PA-D/75PA-F/110PA-F	150	133	90	70	37
165PA-B/165PA-F/165PA-D/220PA-D/220PA-F	171	160	101	90	35

Specification

Output Power(W)	Model	Output Voltage(V)	Output Current(A)	Efficiency	PF	Dimension (L*W*H)mm
22	SS-22PA-32B	12-32	0.35-1.05	85.0%	0.98	123*79*31
22	SS-22PA-32D	8-32	0.2-1.05	87.0%	0.98	123*79*31
22	SS-22PA-49D	18-49	0.2-1.05	88.5%	0.98	123*79*31
22	SS-22PA-72D	24-72	0.2-1.05	88.8%	0.98	123*79*31
22	SS-22PA-32F	8-32	0.2-1.05	86.0%	0.98	133*77*37
22	SS-22PA-49F	18-49	0.2-0.7	87.0%	0.98	133*77*37
22	SS-22PA-72F	24-72	0.2-0.45	87.0%	0.98	133*77*37
40	SS-40PA-54B	20-54	0.35-1.05	88.0%	0.98	123*79*31
40	SS-40PA-57D	19-57	0.2-1.05	89.0%	0.98	123*79*31
40	SS-40PA-80D	25-80	0.2-0.7	89.0%	0.98	123*79*31
40	SS-40PA-133D	44-133	0.2-0.45	90.5%	0.98	123*79*31
40	SS-40PA-57F	19-57	0.3-1.05	90.5%	0.98	133*77*37
40	SS-40PA-80F	25-80	0.2-0.7	90.5%	0.98	133*77*37
40	SS-40PA-133F	44-133	0.2-0.45	90.5%	0.98	133*77*37
75	SS-75PA-108B	38-108	0.35-1.05	91.0%	0.98	133*77*37
75	SS-75PA-114D	36-114	0.2-1.05	92.0%	0.98	150*90*37
75	SS-75PA-178D	56-178	0.2-0.7	93.0%	0.98	150*90*37
75	SS-75PA-245D	74-245	0.2-0.5	93.5%	0.98	150*90*37
75	SS-75PA-114F	36-114	0.2-1.05	92.0%	0.98	150*90*37
75	SS-75PA-178F	56-178	0.2-0.7	93.0%	0.98	150*90*37
75	SS-75PA-245F	74-245	0.2-0.5	92.5%	0.98	150*90*37
110	SS-110PA-160B	55-160	0.35-1.05	92.0%	0.98	133*77*37
110	SS-110PA-105D	35-105	0.2-1.5	93.0%	0.98	133*77*37
110	SS-110PA-160D	52-160	0.2-1.05	93.0%	0.98	133*77*37
110	SS-110PA-245D	74-245	0.2-0.7	93.5%	0.98	133*77*37
110	SS-110PA-105F	35-105	0.2-1.5	92.5%	0.98	150*90*37
110	SS-110PA-160F	52-160	0.2-1.05	93.0%	0.98	150*90*37
110	SS-110PA-245F	81-245	0.2-0.7	93.0%	0.98	150*90*37
165	SS-165PA-235B	90-235	0.35-1.05	92.0%	0.98	171*101*35
165	SS-165PA-157D	54-157	0.2-1.5	93.5%	0.98	171*101*35
165	SS-165PA-236D	79-236	0.2-1.05	94.0%	0.98	171*101*35
165	SS-165PA-367D	118-367	0.2-0.7	94.0%	0.98	171*101*35
165	SS-165PA-157F	54-157	0.2-1.5	93.5%	0.98	171*101*35
165	SS-165PA-236F	79-236	0.2-1.05	94.0%	0.98	171*101*35
165	SS-165PA-367F	118-367	0.2-0.7	94.0%	0.98	171*101*35
165	SS-220PA-210D	70-210	0.2-1.5	94.3%	0.98	171*101*35
220	SS-220PA-314D	104-314	0.2-1.05	94.0%	0.98	171*101*35
220	SS-220PA-415D	133-415	0.2-0.7	95.0%	0.98	171*101*35
220	SS-220PA-210F	70-210	0.2-1.5	94.3%	0.98	171*101*35
220	SS-220PA-314F	104-314	0.2-1.05	94.5%	0.98	171*101*35
220	SS-220PA-415F	133-415	0.2-0.7	95.0%	0.98	171*101*35

Note: *B, 0-10V/PWM/Resistor dimming
 F, D4i+NFC Programmable
 D, DALI dimming
 Please refer to spec for more details.

EP-M Series--55-190W, 120-347Vac, 0-10V/PWM/Resistor dimming, Class 2



Features

- ▶ Input voltage: 120-347Vac
- ▶ Efficiency up to 92.5%
- ▶ Flicker free
- ▶ Programmable (AOC, CLO, SSA, ELA)
- ▶ 6kV/6kV surge protection
- ▶ 0-10V/PWM/Resistor isolated dimming
- ▶ Positive or negative logic dimming
- ▶ Dim to off
- ▶ AUX: 12Vdc
- ▶ Dim to off, standby power<0.5W
- ▶ Class 2 & Class P
- ▶ 5 years warranty

Power Levels

55W 75W 100W 150W 190W

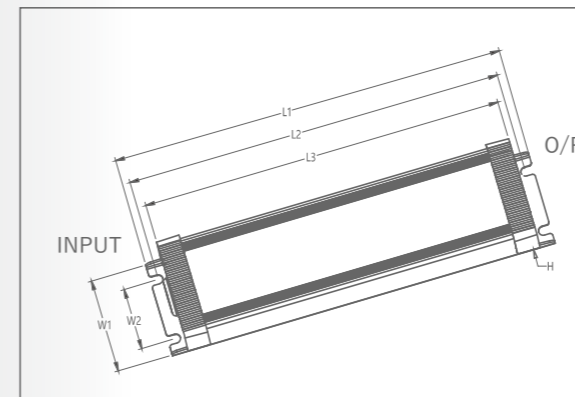
Applications

Street light, Tunnel light, Flood light, High mast light, Highbay, Horticulture light, Sports light

Certificates



Dimension



Units : mm

Model	L1	L2	L3	W1	W2	H
55EP-M	164	156	150	45.5	28	31
75EP-M	214	204	196	43	32	31.5
100EP-M	214	206	200	45.5	28	31
150EP-M	285	277	271	45.5	28	31
190EP-M	360	352	346	45.5	28	31

Specification

Output Power(W)	Model	Output Voltage(V)	Output Current(A)	Efficiency	PF	Dimension (L*W*H)mm
55	SS-55EP-M54BH	18-54	0.2-1.8	88.0%	0.95	140*43*29
75	SS-75EP-M54BH	18-54	0.2-2.1	88.0%	0.95	214*43*31.5
100	SS-100EP-M54BH	18-54	0.35-2.75	90.0%	0.95	214*43*31.5
75X2	SS-150EP-M54BH2	18-54	0.35-2.1	92.5%	0.95	285*45.5*31
75X2	SS-150EP-M54BHB2	18-54	0.35-2.1	92.5%	0.95	285*45.5*31
95X2	SS-190EP-M54BH2	18-54	0.35-2.64	92.5%	0.95	360*45.5*31
95X2	SS-190EP-M54BHB2	18-54	0.35-2.64	92.5%	0.95	360*45.5*31

Note: *=BH, 0-10V/PWM/Resistor dimming+AUX,
 BH2, 0-10V/PWM/Resistor dimming+AUX(two channels),
 BHB2, 0-10V/PWM/Resistor dimming+AUX (two channels)+DIP Switch Power,
 Please refer to spec for more details.

VP Series-----50-1500W, 100-277Vac, 0-10V/PWM/Resistor/DALI-2 dimming, IP67



Features

- ▶ Input voltage: 100-277Vac
- ▶ Efficiency up to 95.5%
- ▶ Constant power, flicker free
- ▶ Programmable (AOC, NTC, CLO, ELA, SSA)
- ▶ 10kV/6kV surge protection
- ▶ 0-10V/PWM/Resistor isolated dimming/DALI-2
- ▶ AUX: 12Vdc
- ▶ Type HL, suitable for hazardous locations
- ▶ Protections: SCP/OTP/OVP/OPP
- ▶ IP67
- ▶ 5 years warranty (8 years optional)

Power Levels

50W 75W 100W 150W 200W 240W 320W 400W 500W 600W 650W 720W
730W 1000W 1500W

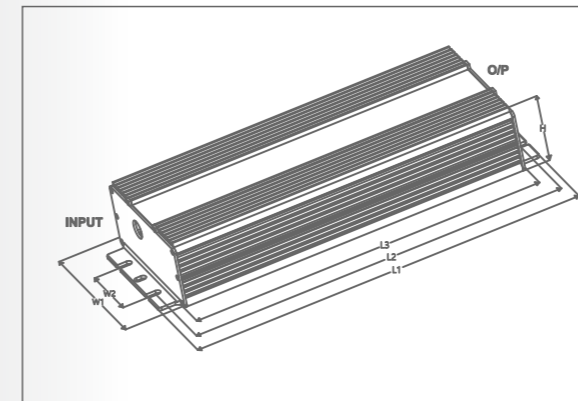
Applications

Street light, High mast light, Fish light, Horticulture light, Sports light

Certificates



Dimension



Units : mm

Model	L1	L2	L3	W1	W2	H
50VP	138	129	121	66	32	35.5
75VP	179	164	154	66	32	35.5
100VP	193	178	169	66	32	35.5
150VP	209	196	182	71	34	39.6
200VP	244	229	219	71	34	39.6
240VP	254	241	230	71	34	39.6
320/400VP	252	238.3	225	89.5	40	44.5
500VP	260.8	247.3	234	125	78	43.5
600/720VP	282	267	261.2	144	97	49.5
650/730VP	430	416.5	403.2	89.5	40	44.5
1000VP	440	426.5	413.2	89.5	40	44.5
1500VP	489	475	464	90	40	49

Specification

Output Power(W)	Model	Output Voltage(V)	Output Current(A)	Efficiency	PF	Dimension (L*W*H)mm
50	SS-50VP-56*	22-56	0.35-1.56	86.0%	0.95	138*66*35.5
50	SS-50VP-72*	28-72	0.35-1.4	87.0%	0.95	138*66*35.5
75	SS-75VP-56*	22-56	0.35-2.4	88.0%	0.95	179*66*35.5
75	SS-75VP-108*	54-108	0.1-1.05	90.0%	0.95	179*66*35.5
100	SS-100VP-56*	22-56	0.35-3.0	90.0%	0.95	193*66*35.5
100	SS-100VP-143*	72-143	0.1-1.05	92.0%	0.95	193*66*35.5
150	SS-150VP-56*	22-56	0.35-4.2	92.0%	0.95	209*71*39.6
150	SS-150VP-143*	72-143	0.35-1.5	92.0%	0.95	209*71*39.6
150	SS-150VP-215*	108-215	0.1-1.05	93.0%	0.95	209*71*39.6
200	SS-200VP-56*	22-56	0.7-5.6	92.0%	0.95	244*71*39.6
200	SS-200VP-190*	95-190	0.35-1.5	92.5%	0.95	244*71*39.6
200	SS-200VP-286*	143-286	0.1-1.05	92.5%	0.95	244*71*39.6
240	SS-240VP-56*	22-56	0.7-6.67	92.5%	0.95	254*71*39.6
240	SS-240VP-228*	114-228	0.35-1.5	93.0%	0.95	254*71*39.6
240	SS-240VP-343*	171-343	0.1-1.05	93.5%	0.95	254*71*39.6
320	SS-320VP-56*	22-56	1.05-8.4	94.0%	0.95	252*89.5*44.5
320	SS-320VP-228*	114-228	0.35-1.75	93.5%	0.95	252*89.5*44.5
320	SS-320VP-428*	214-428	0.1-1.05	94.0%	0.95	252*89.5*44.5
400	SS-400VP-56*	28-56	1.05-8.35	94.0%	0.95	252*89.5*44.5
400	SS-400VP-228*	114-228	0.35-2.5	95.0%	0.95	252*89.5*44.5
500	SS-500VP-24*	18-24	2.1-20.0	93.5%	0.95	260.8*125*43.5
500	SS-500VP-56*	22-56	1.4-11.4	94.5%	0.95	260.8*125*43.5
500	SS-500VP-228*	114-228	0.35-2.8	94.5%	0.95	260.8*125*43.5
500	SS-500VP-428*	214-428	0.35-1.4	95.0%	0.95	260.8*125*43.5
600	SS-600VP-24*	16-28	2.5-25.0	91.0%	0.95	282*144*49.5
600	SS-600VP-42*	20-42	1.7-16.7	93.0%	0.95	282*144*49.5
600	SS-600VP-56*	22-56	1.25-12.5	95.0%	0.95	282*144*49.5
600	SS-600VP-190*	95-190	0.7-4.2	95.0%	0.95	282*144*49.5
600	SS-600VP-286*	143-286	0.35-2.8	95.0%	0.95	282*144*49.5
600	SS-600VP-428*	214-428	0.35-1.75	95.0%	0.95	282*144*49.5
650	SS-650VP-56*	28-56	1.4-13.5	95.0%	0.95	430*89.5*44.5
720	SS-720VP-56*	28-56	1.5-15.0	95.0%	0.95	282*144*49.5
730	SS-730VP-56*	28-56	1.75-15.2	95.0%	0.95	430*89.5*44.5
1000	SS-1000VP-54*	28-56	2.1-20.8	95.0%	0.95	440*89.5*44.5
1000	SS-1000VP-56*	28-56	2.1-20.8	95.0%	0.95	440*89.5*44.5
1500	SS-1500VP-56*	36-56	3.15-31.25	95.5%	0.95	489*90*49

Note: *=BH, 0-10V/PWM/Timing dimming+AUX, DALI dimming+AUX, BHB, integrated horticulture light LED Driver with knob, Network dimming can be realized through RJ25 network interface. Please refer to spec for more details.

VP-H Series-----200-880W, 100-277Vac, 0-10V/PWM/Resistor/DALI-2 dimming, IP67



Features

- ▶ Input voltage: 100-277Vac
- ▶ Efficiency up to 95%
- ▶ Constant power, flicker free
- ▶ Programmable (AOC, CLO, ELA, SSA,NTC)
- ▶ 10kV/6kV surge protection
- ▶ 0-10V/PWM/Resistor isolated dimming/DALI-2, dim to off
- ▶ AUX: 12Vdc
- ▶ Type HL, suitable for hazardous locations
- ▶ Protections: SCP/OTP/OVP
- ▶ IP67
- ▶ 5 years warranty (8 years optional)

Power Levels

200W 240W 320W 500W 680W 880W

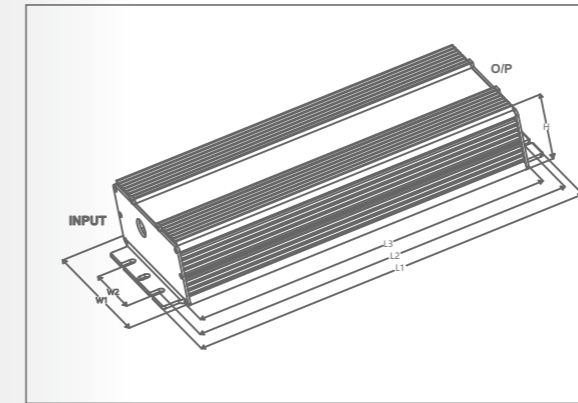
Applications

Sports light、Fish light、Horticulture light

Certificates



Dimension



Units : mm

Model	L1	L2	L3	W1	W2	H
200VP-H	208	196	182	71	34	39.6
240VP-H	244	229	219	71	34	39.6
320VP-H	254	241	230	71	34	39.6
500VP-H	262	251	240	105	60	44.5
680VP-H	272	261	250	125	78	44.5
880VP-H	276	265	254	144	97	49.5
1200VP-G	310	299	288	144	97	49.5

Specification

Output Power(W)	Model	Output Voltage(V)	Output Current(A)	Efficiency	PF	Dimension (L*W*H)mm
200	SS-200VP-H56*	36-56	0.7-4.35	92.5%	0.95	209*71*39.6
240	SS-240VP-H56*	36-56	0.7-5.22	93.0%	0.95	244*71*39.6
320	SS-320VP-H56*	36-56	0.7-6.7	93.5%	0.95	254*71*42.7
500	SS-500VP-H56*	28-56	1.4-11.4	95.0%	0.97	262*105*44.5
680	SS-680VP-H56*	28-56	1.4-14.16	95.0%	0.97	272*125*44.5
680	SS-680VP-H200*	100-200	0.7-4.53	95.0%	0.95	272*125*44.5
880	SS-880VP-H56*	28-56	2.1-20.0	95.0%	0.97	276*144*49.5
880	SS-880VP-H200*	100-200	0.7-5.86	95.0%	0.97	276*144*49.5

Note : *=BH, 0-10V/PWM/Resistor dimming+AUX;
 DH, DALI dimming+AUX; (DALI dimming only for 320/500/680/880W)
 BHN, 0-10V/PWM/Resistor dimming+AUX+NTC
 DHN, DALI dimming+AUX+NTC
 Please refer to spec for more details.

M Series-----100-880W, 200/220/277-480Vac, 0-10V/PWM/Resistor dimming, IP67



Features

- ▶ Input voltage: 277-480Vac/220-480Vac (600/800M) /200-480Vac (680/880M)
- ▶ Efficiency up to 96.5%
- ▶ Constant power, flicker free
- ▶ Programmable (AOC, CLO, SSA, ELA)
- ▶ 10kV/6kV surge protection
- ▶ 0-10V/PWM/Resistor isolated dimming, dim to off
- ▶ AUX: 12Vdc
- ▶ Class 2 (100M) /Class P
- ▶ Type HL, suitable for hazardous locations
- ▶ Protections: SCP/OTP/OVP/OPP
- ▶ IP67
- ▶ 5 years warranty

Power Levels

100W 150W 240W 320W 600W 680W 800W 880W

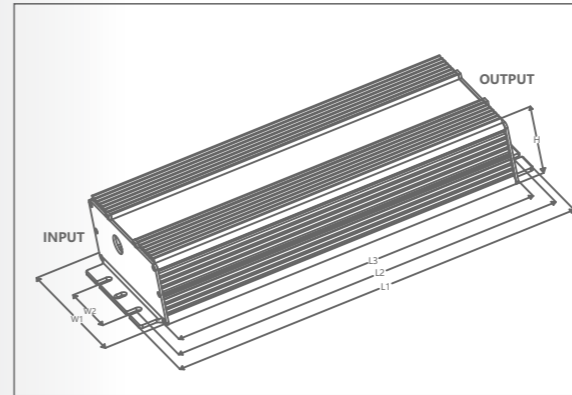
Applications

Horticulture light、Sports light、High mast light

Certificates



Dimension



Units : mm

Model	L1	L2	L3	W1	W2	H
100/150M	221	206	197	71	34	39.6
240M	254	241	230	71	34	39.6
320M	261.8	248.3	235	89.5	40	44.5
600M	288	266.7	255.2	144	97	49.5
680M	430	416.5	403.2	89.5	40	44.5
800M	288	266.7	261.2	144	97	49.5
880M	440	426.5	413.2	89.5	40	44.5

Specification

Output Power(W)	Model	Output Voltage(V)	Output Current(A)	Efficiency	PF	Dimension (L*W*H)mm
96	SS-100M-56BH	22-56	0.35-2.97	89.0%	0.95	221*71*39.6
100	SS-100M-185BH	75-185	0.1-1.05	90.0%	0.95	221*71*39.6
150	SS-150M-56BH	22-56	0.35-4.2	90.0%	0.95	221*71*39.6
150	SS-150M-215BH	85-215	0.1-1.4	91.0%	0.95	221*71*39.6
240	SS-240M-56BH	22-56	0.7-6.7	92.0%	0.95	254*71*39.6
240	SS-240M-228BH	114-218	0.35-1.75	93.0%	0.95	254*71*39.6
240	SS-240M-343BH	171-343	0.1-1.05	93.0%	0.95	254*71*39.6
320	SS-320M-56BH	32-56	0.7-8.4	92.0%	0.95	261.8*89.5*44.5
320	SS-320M-228BH	114-228	0.35-1.75	93.0%	0.95	261.8*89.5*44.5
320	SS-320M-428BH	214-428	0.1-1.05	93.0%	0.95	261.8*89.5*44.5
600	SS-600M-56BH	22-56	1.25-12.5	95.5%	0.98	288*144*49.5
600	SS-600M-190BH	95-190	0.7-4.2	95.5%	0.98	288*144*49.5
600	SS-600M-286BH	143-286	0.35-2.8	95.5%	0.98	288*144*49.5
600	SS-600M-428BH	214-428	0.35-1.75	95.5%	0.98	288*144*49.5
680	SS-680M-56BH	36-56	1.4-14.2	95.0%	0.98	430*89.5*44.5
800	SS-800M-56BH	28-56	1.67-16.7	96.0%	0.95	288*144*49.5
800	SS-800M-190BH	95-190	0.7-5.26	95.5%	0.95	288*144*49.5
800	SS-800M-286BH	143-286	0.35-3.72	96.0%	0.95	288*144*49.5
800	SS-800M-380BH	190-380	0.35-2.6	96.0%	0.95	288*144*49.5
880	SS-880M-56BH	28-56	1.8-18.3	96.5%	0.98	440*89.5*44.5
880	SS-880M-205BH	110-205	0.8-5.0	96.5%	0.98	440*89.5*44.5

Note: *=BH, 0-10V/PWM/Timing dimming+AUX
Please refer to spec for more details.

MS Series-----500-1200W, 200-480Vac, 0-10V/PWM/Resistor/DALI-2 dimming, IP67



Features

- ▶ Input voltage: 200-480Vac
- ▶ Efficiency up to 96%
- ▶ Constant power, flicker free
- ▶ Programmable (AOC, NTC, CLO, SSA, ELA)
- ▶ 10kV/6kV surge protection
- ▶ 0-10V/PWM/Resistor dimming/DALI-2, dim to off
- ▶ AUX: 12Vdc
- ▶ Type HL, suitable for hazardous locations
- ▶ Protections: SCP/OTP/IUVP
- ▶ IP67
- ▶ 5 years warranty

Power Levels

500W 680W 880W 1200W

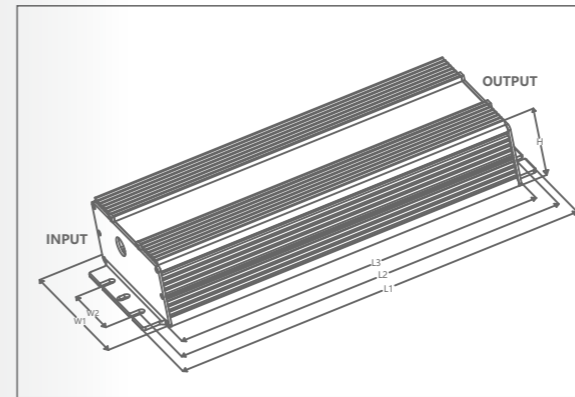
Applications

Horticulture light、Sports light、Fish light

Certificates



Dimension



Units : mm

Model	L1	L2	L3	W1	W2	H
500MS	262	251	240	105	60	44.5
680MS	272	261	250	125	78	44.5
880MS	276	265	254	144	97	49.5
1200MS	310	292	282	144	97	49.5

Specification

Output Power(W)	Model	Output Voltage(V)	Output Current(A)	Efficiency	PF	Dimension (L*W*H)mm
500	SS-500MS-200*	100-200	0.35-3.33	95.5%	0.95	262*105*44.5
500	SS-500MS-290*	145-290	0.35-2.38	95.5%	0.95	262*105*44.5
500	SS-500MS-400*	200-400	0.35-1.67	96.0%	0.95	262*105*44.5
680	SS-680MS-145*	73-145	0.7-6.3	94.5%	0.95	272*125*44.5
680	SS-680MS-200*	100-200	0.7-4.53	95.5%	0.95	272*125*44.5
680	SS-680MS-290*	145-290	0.35-3.23	96.0%	0.95	272*125*44.5
680	SS-680MS-400*	200-400	0.35-2.27	96.5%	0.95	272*125*44.5
880	SS-880MS-200*	100-200	0.7-5.86	96.0%	0.95	276*144*49.5
880	SS-880MS-290*	145-290	0.7-4.19	96.0%	0.95	276*144*49.5
880	SS-880MS-400*	200-400	0.7-2.93	96.5%	0.95	276*144*49.5
1200	SS-1200MS-200*	100-200	1.05-8.0	96.0%	0.95	310*144*49.5
1200	SS-1200MS-290*	145-290	0.7-5.71	96.0%	0.95	310*144*49.5
1200	SS-1200MS-400*	200-400	0.7-4.0	96.0%	0.95	310*144*49.5

Note : *=BH, 0-10V/PWM/Resistor dimming+AUX,
 DH, DALI dimming+AUX
 BHN, 0-10V/PWM/Resistor dimming+AUX+NTC,
 DHN, DALI dimming+AUX+NTC
 Please refer to spec for more details.

VP-E Series-----600-1000W, 120-277Vac, 0-10V/PWM/Resistor dimming, IP67



Features

- ▶ Input voltage: 120-277Vac
- ▶ Efficiency to up 96%
- ▶ Special design for horticulture lighting
- ▶ Programmable (AOC, CLO, SSA, ELA, NTC)
- ▶ 10kV/6kV surge protection
- ▶ 0-10V/PWM/Resistor isolated dimming, dim to off
- ▶ Standby power<0.5W, dim-to-off@230Vac
- ▶ AUX: 12Vdc
- ▶ RJ25+knob, panel mount connectors optional(BHB Version)
- ▶ Type HL, suitable for hazardous locations
- ▶ Protections: SCP/OTP/OVP
- ▶ IP67
- ▶ 5 years warranty

Power Levels

600W 800W 1000W

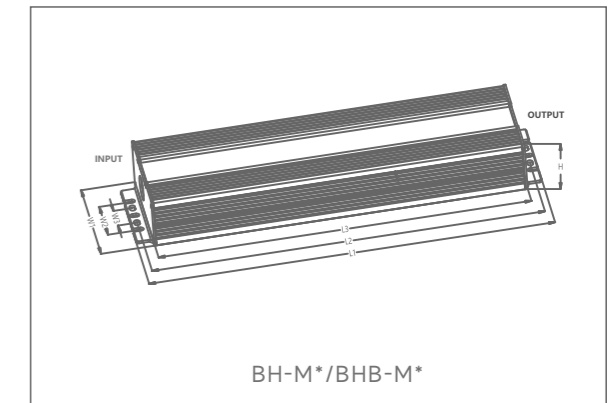
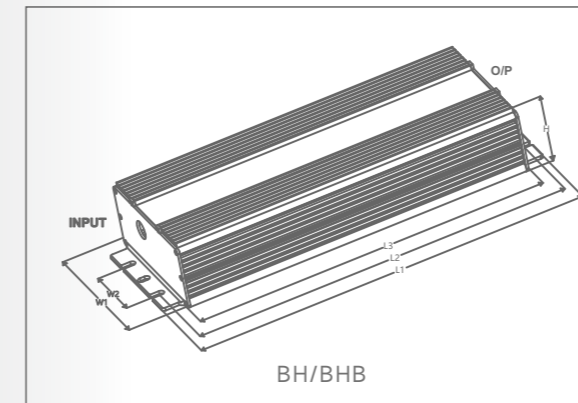
Applications

Horticulture light, Sports light, Square light, Fish light

Certificates



Dimension



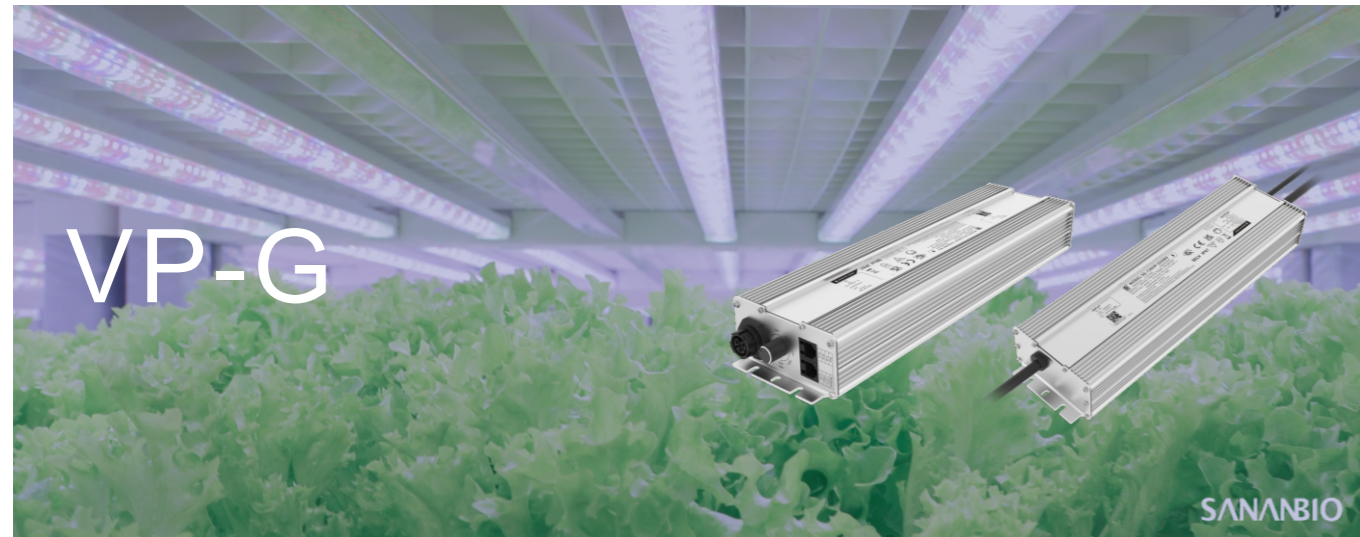
Model	L1	L2	L3	W1	W2	W3	H
600VP-E56BH	325	312	297	89.5	40	/	44.5
600VP-E56BHB	335	325	308	89.5	40	/	44.5
600VP-E56BH-M*/BHB-M*	335	325	308	89.5	40	21	44.5
800VP-E56BH	380	367	354	89.5	40	/	44.5
800VP-E56BHB	390	377	364	89.5	40	/	44.5
800VP-E56BH-M*/BHB-M*	390	377	364	89.5	40	21	44.5
1000VP-E56BH/BHB	461	447	436	89.5	40	/	49
1000VP-E56BH-M*/BHB-M*	461	447	436	89.5	40	21	49

Specification

Output Power(W)	Model	Output Voltage(V)	Output Current(A)	Efficiency	PF	Dimension (L*W*H)mm
600	SS-600VP-E56*	28-56	1.4-12.5	95.5%	0.95	325*89.5*44.5 (BH/BHN)
						335*89.5*44.5 (BHB/BH-M*/BHB-M*)
800	SS-800VP-E56*	28-56	1.75-16.7	95.5%	0.95	380*89.5*44.5 (BH/BHN)
						390*89.5*44.5 (BHB/BH-M*/BHB-M*)
1000	SS-1000VP-E56*	28-56	2.1-20.8	96.0%	0.95	461*89.5*49

Note:*=BH,0-10V/PWM/Resistor dimming+AUX
 BHN, 0-10V/PWM/Resistor dimming+AUX+NTC
 BHB, integrated horticulture light LED Driver with knob, Network dimming can be realized through RJ25 network interface
 BHB-M*, 0-10V/PWM/Resistor+12V, Input M19/Output M19/Dimming & AUX M12 Panel Mount Connectors
 BH-M*, integrated horticulture light LED Driver with knob, Network dimming can be realized through RJ25 network interface
 +Input M19/Output M19 Panel Mount Connectors
 Please refer to spec for more details.

VP-G Series-----730-1200W, 200-277Vac, 0-10V/PWM/Resistor dimming, IP67



Features

- ▶ Input voltage: 200-277Vac
- ▶ Efficiency to up 95.5%
- ▶ Special design for horticulture lighting
- ▶ Programmable (AOC, CLO, SSA, ELA, NTC)
- ▶ 10kV/6kV surge protection
- ▶ 0-10V/PWM/Resistor isolated dimming, dim to off
- ▶ Standby power<0.5W, dim-to-off@230Vac
- ▶ AUX: 12Vdc
- ▶ RJ25+knob,panel mount connectors optional(BHB Version)
- ▶ Type HL, suitable for hazardous locations
- ▶ Protections: SCP/OTP/OVP
- ▶ IP67
- ▶ 5 years warranty

Power Levels

730W 800W 1000W 1200W

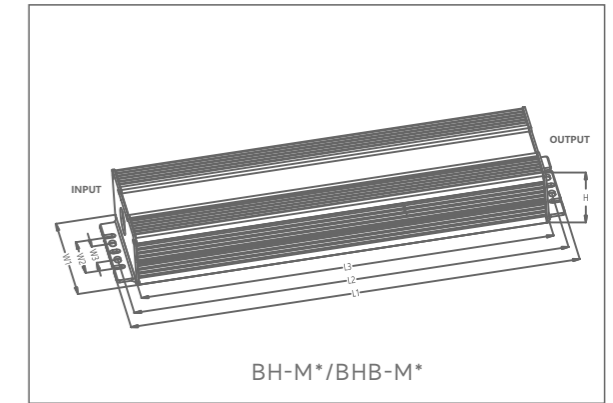
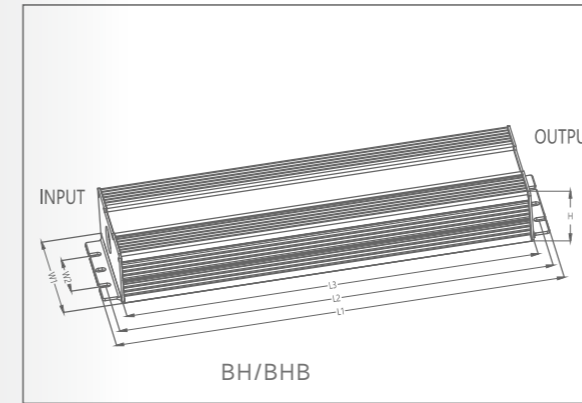
Applications

Sports light, Fish light, Horticulture light, Square light

Certificates



Dimension



Units : mm

Model	L1	L2	L3	W1	W2	W3	H
730/800VP-G56BH/BHN	325	312	297	89.5	40	/	44.5
730/800VP-G56BHB	335	325	308	89.5	40	/	44.5
730/800VP-G56BH-M*/BHB-M*	335	325	308	89.5	40	21	44.5
1000VP-G56BH/BHN	380	367	354	89.5	40	/	44.5
1000VP-G56BHB	390	377	364	89.5	40	/	44.5
1000VP-G56BH-M*/BHB-M*	390	377	364	89.5	40	21	44.5
1200VP-G	310	299	288	144	97	/	49.5
1200VP-GL56BH/BHB/BHN	461	447	436	89.5	40	/	49
1200VP-GL56BH-M*/BHB-M*	461	447	436	89.5	40	21	49

Specification

Output Power(W)	Model	Output Voltage(V)	Output Current(A)	Efficiency	PF	Dimension (L*W*H)mm
730	SS-730VP-G56*	28-56	1.75-15.2	95.5%	0.95	325*89.5*44.5 (BH/BHN) 335*89.5*44.5 (BHB/BH-M*/BHB-M*)
800	SS-800VP-G56*	28-56	1.75-16.7	95.5%	0.95	325*89.5*44.5 (BH/BHN) 335*89.5*44.5 (BHB/BH-M*/BHB-M*)
1000	SS-1000VP-G56*	28-56	2.1-20.8	95.5%	0.95	380*89.5*44.5 (BH/BHN) 390*89.5*44.5 (BHB/BH-M*/BHB-M*)
1200	SS-1200VP-G200*	100-200	1.05-8.0	95.0%	0.97	310*144*49.5
1200	SS-1200VP-GL56*	28-56	2.8-25.0	95.5%	0.95	461*89.5*49

Note:*=BH, 0-10V/PWM/Resistor dimming+AUX
 DH, DALI+AUX(Only for 1200VP-G)
 BHN, 0-10V/PWM/Resistor dimming+AUX+NTC
 DHN, DALI+AUX+NTC(Only for 1200VP-G)
 BHB, integrated horticulture light LED Driver with knob, network dimming can be realized through Rj25 network interface(Except 1200VP-G)
 BHB-M*, integrated horticulture light LED Driver with knob,Network dimming can be realized through RJ25 network interface, Input M19/Output M19 Panel Mount Connectors(Except 1200VP-G)
 BH-M*, Input M19/Output M19/Dimming & AUX M12 Panel Mount Connectors(Except 1200VP-G)
 Please refer to spec for more details.

L-N Series-----Non-isolated, 650-1000W, 200-277Vac, 0-10V/PWM/Resistor dimming, IP67



Features

- ▶ Input voltage: 200-277Vac
- ▶ Efficiency to up 96.5%
- ▶ Non-isolated, flicker free
- ▶ Programmable (AOC, CLO, SSA, ELA)
- ▶ 6kV/6kV surge protection
- ▶ Standby power<0.5W
- ▶ 0-10V/PWM/Resistor isolated dimming, dim to off
- ▶ AUX: 12Vdc
- ▶ Protections: SCP/OTP/IUVP
- ▶ IP67
- ▶ 5 years warranty

Power Levels

650W 800W 1000W

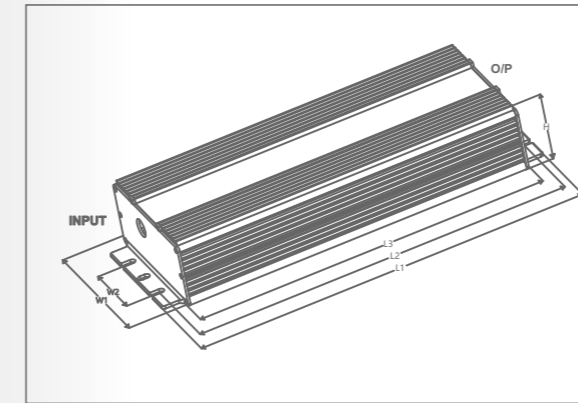
Applications

Sports light, Fish light, Horticulture light

Certificates



Dimension



Units : mm

Model	L1	L2	L3	W1	W2	H
650L-N	252	238.3	225	89.5	40	44.5
800L-N	280	266.5	253.2	89.5	40	44.5
1000L-N	368.2	354.8	341.5	89.5	40	44.5

Specification

Output Power(W)	Model	Output Voltage(V)	Output Current(A)	Efficiency	PF	Dimension (L*W*H)mm
650	SS-650L-N360BH	210-360	0.35-2.7	96.0%	0.98	252*89.5*44.5
800	SS-800L-N360BH	210-360	0.7-3.33	96.5%	0.95	280*89.5*44.5
1000	SS-1000L-N360BH	210-360	0.7-4.17	96.5%	0.95	368.3*89.5*44.5

Note: BH, 0-10V/PWM/Resistor dimming+AUX
Please refer to spec for more details.

RUN Series-----Slim, Non-isolated, 400/600W, 100-277Vac, 0-10V/PWM/Resistor dimming, IP67



Features

- ▶ Input voltage: 100-277Vac
- ▶ Efficiency to up 97%
- ▶ Slim profile
- ▶ Non-isolated, flicker free
- ▶ Dual-live-line input off
- ▶ Programmable (AOC, CLO, SSA, ELA)
- ▶ 6kV/6kV surge protection
- ▶ 0-10V/PWM/Resistor isolated dimming, dim to off without afterglow
- ▶ AUX: 12Vdc
- ▶ Protections: SCP/OTP
- ▶ IP67
- ▶ 5 years warranty

Power Levels

400W 600W

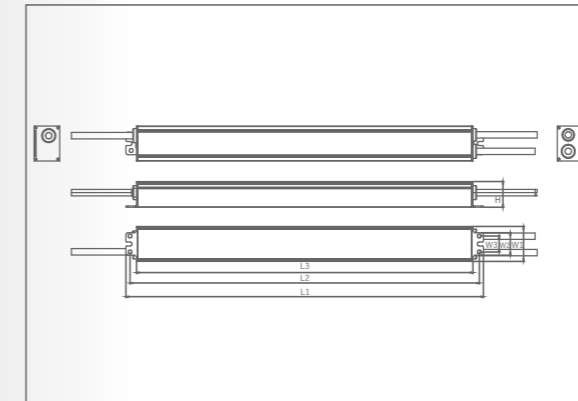
Applications

Horticulture light, Highbay, Fish light

Certificates



Dimension



Units : mm

Model	L1	L2	L3	W1	W2	H
400RUN	390	364	380	43.5	20	32
600RUN	445	419	435	43.5	20	32

Specification

Output Power(W)	Model	Output Voltage(V)	Output Current(A)	Efficiency	PF	Dimension (L*W*H)mm
400	SS-400RUN-400BH	200-400	0.35-1.74	95.5%	0.98	390*43.5*32
600	SS-600RUN-400BH	200-400	0.35-2.6	95.5%	0.98	445*43.5*32

Note: BH, 0-10V/PWM/Resistor dimming+AUX
Please refer to spec for more details.

RUN-M Series-----Slim, Non-isolated, 400/600W, 200-480Vac, 0-10V/PWM/Resistor dimming, IP67



Features

- ▶ Input voltage: 200-480Vac
- ▶ Efficiency up to 97%
- ▶ Slim profile
- ▶ Non-isolated, flicker free
- ▶ Dual-live-line input off
- ▶ Programmable (AOC, CLO, SSA, ELA)
- ▶ 6kV/6kV surge protection
- ▶ 0-10V/PWM/Resistor isolated dimming, dim to off without afterglow
- ▶ AUX: 12Vdc
- ▶ Protections: SCP/OTP
- ▶ IP67
- ▶ 5 years warranty

Power Levels

400W 600W

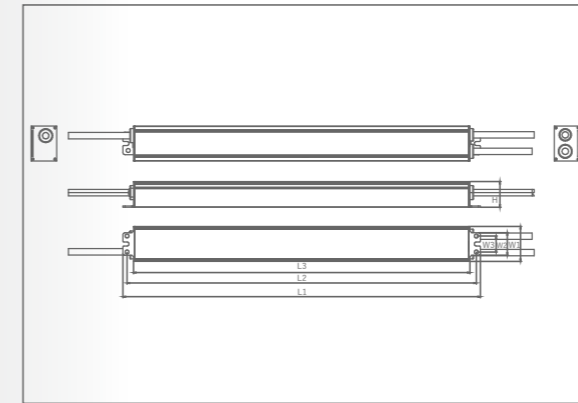
Applications

Horticulture light, Highbay, Fish light

Certificates



Dimension



Units : mm

Model	L1	L2	L3	W1	W2	H
400RUN-M	390	380	364	43.5	20	38
600RUN-M	462	452	436	43.5	20	38

Specification

Output Power(W)	Model	Output Voltage(V)	Output Current(A)	Efficiency	PF	Dimension (L*W*H)mm
400	SS-400RUN-M400BH	200-400	0.35-1.74	97.0%	0.97	390*43.5*38
600	SS-600RUN-M400BH	200-400	0.35-2.6	97.0%	0.97	462*43.5*38

Note: BH, 0-10V/PWM/Resistor dimming+AUX
Please refer to spec for more details.

NP Series-----Non-isolated, 500-880W, 100-277Vac, 0-10V/PWM/Resistor dimming, IP67



NP

Features

- ▶ Input voltage: 100-277Vac
- ▶ Efficiency up to 97%
- ▶ Non-isolated
- ▶ Programmable (AOC, CLO, SSA, ELA)
- ▶ 6kV/6kV surge protection
- ▶ 0-10V/PWM/Resistor isolated dimming, dim to off without afterglow
- ▶ AUX: 12Vdc
- ▶ Standby power<0.5W
- ▶ Protections: SCP/OTP
- ▶ IP67
- ▶ 5 years warranty

Power Levels

500W 680W 880W

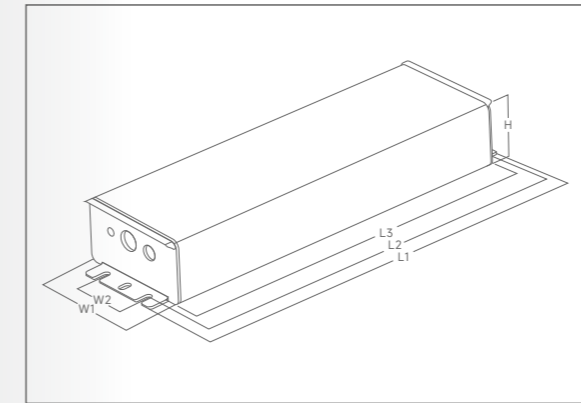
Applications

Sports light, Fish light, Horticulture light

Certificates



Dimension



Units : mm

Model	L1	L2	L3	W1	W2	H
500NP	252	238.3	225	89.5	40	44.5
680NP	297	283	270	89.5	40	44.5
880NP	272	262	250	125	78	44.5

Specification

Output Power(W)	Model	Output Voltage(V)	Output Current(A)	Efficiency	PF	Dimension (L*W*H)mm
500	SS-500NP-360*	210-360	0.35-2.08	96.0%	0.98	252*89.5*44.5
680	SS-680NP-360BH	210-360	0.35-2.83	96.0%	0.97	297*89.5*44.5
880	SS-880NP-360BH	210-360	0.7-3.66	96.0%	0.98	272*125*44.5

Note: *=BH, 0-10V/PWM/Resistor dimming+AUX,
 BHC, Dual-live-line input off(BHC only for 500W, 680W/880W Dual-live-line input off)
 Please refer to spec for more details.

NP-M Series-----Non-isolated, 680-1200W, 200-480Vac, 0-10V/PWM/Resistor/DALI-2/DMX dimming, IP67



Features

- ▶ Input voltage: 200-480Vac
- ▶ Efficiency up to 97%
- ▶ Non-isolated, flicker free
- ▶ Dual-live-line input off
- ▶ Programmable (AOC, CLO, SSA, ELA)
- ▶ 6kV/6kV surge protection
- ▶ 0-10V/PWM/Resistor isolated dimming/DALI-2/DMX-RDM, dim to off without afterglow
- ▶ AUX: 12Vdc
- ▶ Standby power<0.5W@230Vac, dim to off
- ▶ Protections: SCP/OTP
- ▶ IP67
- ▶ 5 years warranty

Power Levels

680W 880W 1000W 1200W

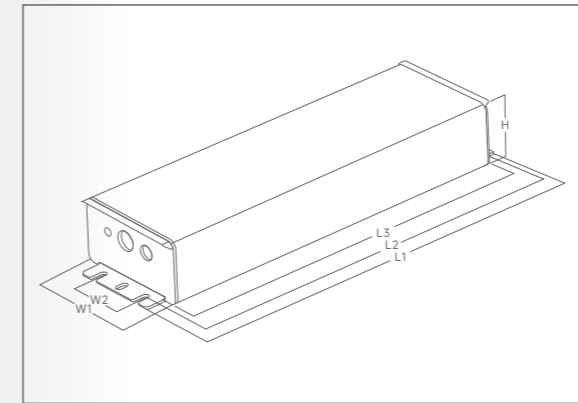
Applications

Sports light, Fish light, Horticulture light

Certificates



Dimension



Units : mm

Model	L1	L2	L3	W1	W2	H
680NP-M	230	219	208	125	78	44.5
880NP-M	252	241	230	125	78	44.5
1000NP-M	282	271	260	125	78	44.5
1200NP-M	302	291	280	125	78	44.5

Specification

Output Power(W)	Model	Output Voltage(V)	Output Current(A)	Efficiency	PF	Dimension (L*W*H)mm
680	SS-680NP-M500*	150-500	0.35-2.7	97.0%	0.95	230*125*44.5
880	SS-880NP-M500*	150-500	0.7-3.49	97.0%	0.95	252*125*44.5
1000	SS-1000NP-M430*	210-430	0.7-4.16	97.0%	0.95	282*125*44.5
1200	SS-1200NP-M500*	150-500	0.35-2.7	97.0%	0.95	302*125*44.5

Note: * =BH, 0-10V/PWM/Resistor dimming+AUX
 DH, DALI+AUX(except 1000NP-M)
 XH, DMX-RDM+AUX(except 1000NP-M)
 BHC, 0-10V/PWM/Resistor dimming+AUX+Dual-live-line input off
 (BHC only for 1000NP-M, 680/880/1200NP-M Dual-live-line input off)
 BHN, 0-10V/PWM/Resistor dimming+AUX+NTC
 DHN, DALI+AUX+NTC(except 1000NP-M)
 XHN, DMX-RDM+AUX+NTC(except 1000NP-M)
 BHCN, 0-10V/PWM/Resistor dimming+AUX+Dual-live-line input off+NTC
 (BHC only for 1000NP-M, 680/880/1200NP-M Dual-live-line input off)
 The suffix"-C" corresponds to UL Class P models
 The suffix"- G" corresponds to the DC ground wire model
 Please refer to spec for more details.

NS-V Series-----Non-isolated, 1200-1800W, 200-480Vac, DMX-RDM Dimming, IP66



Features

- ▶ Input voltage: 200-480Vac
- ▶ Efficiency up to 97%
- ▶ Special design for sports lighting
- ▶ Non-isolated, flicker free
- ▶ External NTC
- ▶ Programmable
- ▶ 10kV/10kV surge protection
- ▶ DMX-RDM dimming
- ▶ Standby power<0.5W@230Vac
- ▶ IP66/IK08
- ▶ 7 years warranty(10 years optional)

Power Levels

1200W(600W*2) 1500W(500W*3) 1800W(600W*3)

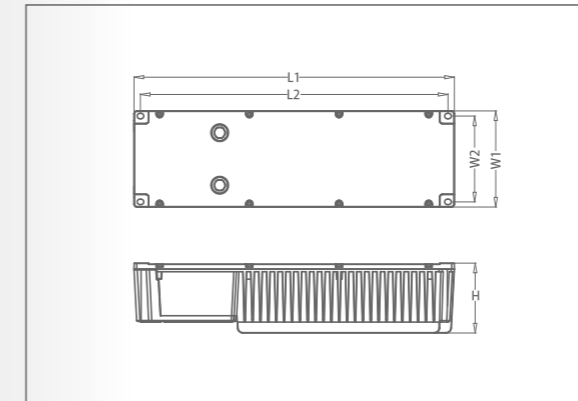
Applications

Sports light

Certificates



Dimension



Units : mm

Model	L1	L2	W1	W2	H
1200/1500/1800NS-V	500	480	150	134	110

Specification

Output Power(W)	Model	Output Voltage(V)	Output Current(A)	Efficiency	PF	Dimension (L*W*H)mm
1200	SS-1200NS-V500XN	260-500	(0.35-1.8)*2	96.0%	0.95	500*150*110
1500	SS-1500NS-V500XN	260-500	(0.35-1.46)*3	96.0%	0.95	500*150*110
1800	SS-1800NS-V500XN	260-500	(0.35-1.8)*3	96.0%	0.95	500*150*110

Note: XN, DMX-RDM dimming+NTC
Please refer to spec for more details.

CNH Series-----Circle, Non-isolated, 100-240W, 100-277Vac, DIP switch power/CCT, Smart programming, Timer dimming, IP65



Features

- ▶ Input voltage: 100-277Vac
- ▶ Efficiency up to 97%
- ▶ Multi-function can be programmed to reduce SKUs
- ▶ Lifespan: 50k hours@Tc=85°C
- ▶ Function: DIP switch power/CCT, Timer dimming, IEC, ELA, SSA, CLO
- ▶ Protections: IUVP/OTP/OVP/OCP
- ▶ 6kV/6kV surge protection
- ▶ IP65
- ▶ Standby power<0.5W
- ▶ 5 years warranty

Power Levels

100W 150W 200W 240W

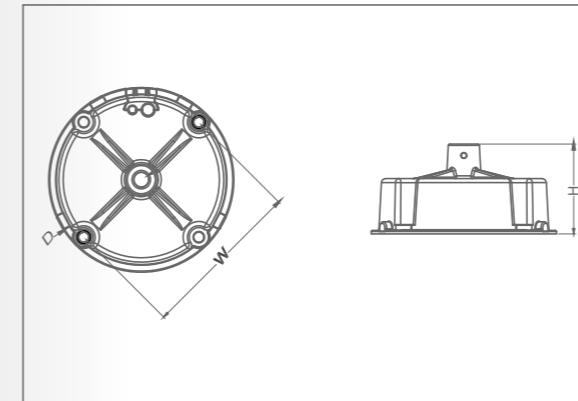
Applications

Highbay, Sports light

Certificates



Dimension



Units : mm

Model	D	W	H
100/150/200CNH	116	113	62.5
240CNH	128	113	62.5

Specification

Output Power(W)	Model	Output Voltage(V)	Output Current(A)	Efficiency	PF	Dimension (φ*H)mm
100	SS-100CNH-300*	180-300	0.125-0.5	97.0%	0.97	116*62.5
150	SS-150CNH-300*	180-300	0.187-0.75	97.0%	0.97	116*62.5
200	SS-200CNH-300*	180-300	0.25-1.0	97.0%	0.97	116*62.5
240	SS-240CNH-300*	180-300	0.3-1.2	97.0%	0.97	128*62.5

Note: *=BB, 1-10V/PWM/Resistor dimming+DIP switch power
 BD,1-10V/PWM/Resistor dimming+DIP switch power/CCT
 BHB,0-10V/PWM/Resistor dimming+AUX+DIP switch power
 BHD, 0-10V/PWM/Resistor dimming+AUX+DIP switch power/CCT
 Please refer to spec for more details.

SNH Series-----Circle, Non-isolated, 100-240W, 120-347Vac, DIP switch power/CCT, Smart programming, Timer dimming, IP65



SNH

Features

- ▶ Input voltage: 120-347Vac
- ▶ Efficiency up to 97%
- ▶ Multi-function can be programmed to reduce SKUs
- ▶ Lifespan: 50k hours@Tc=85°C
- ▶ Function: DIP switch power/CCT, Timer dimming, IEC, ELA, SSA, CLO
- ▶ Protections: IUVP/OTP/OVP/OCP
- ▶ 6kV/6kV surge protection
- ▶ IP65
- ▶ Standby power<0.5W
- ▶ 5 years warranty

Power Levels

100W 150W 200W 240W

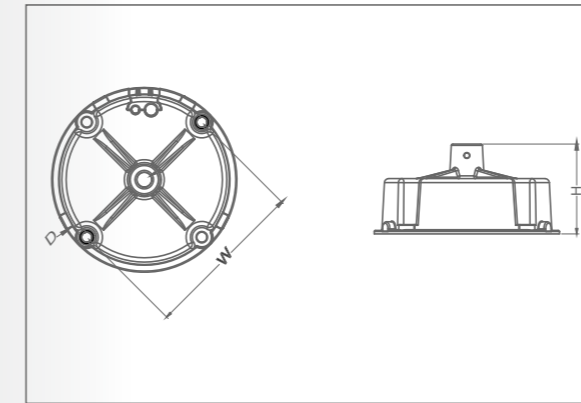
Applications

Highbay, Sports light

Certificates



Dimension



Units : mm

Model	D	W	H
100/150/200SNH	116	113	62.5
240SNH	128	113	62.5

Specification

Output Power(W)	Model	Output Voltage(V)	Output Current(A)	Efficiency	PF	Dimension (φ*H)mm
100	SS-100SNH-300*	180-300	0.125-0.5	97.0%	0.97	116*62.5
150	SS-150SNH-300*	180-300	0.187-0.75	97.0%	0.97	116*62.5
200	SS-200SNH-300*	180-300	0.25-1.0	97.0%	0.97	116*62.5
240	SS-240SNH-300*	180-300	0.3-1.2	97.0%	0.97	128*62.5

Note: *= BHB, 0-10V/PWM/Resistor dimming+AUX+DIP switch power
 BHD, 0-10V/PWM/Resistor dimming+AUX+DIP switch power/CCT
 Please refer to spec for more details.

CNL-E Series-----Circle, Non-isolated, 80-320W, 120-277Vac, DIP switch power/CCT, 0-10V/PWM/Resistor/DALI-2 dimming, IP65



CNL-E

Features

- ▶ Input voltage: 120-277Vac
- ▶ Efficiency up to 96%
- ▶ Non-isolated, flicker free
- ▶ 0-10V/PWM/Resistor isolated dimming, without afterglow(optional), DALI-2
- ▶ Function: DIP switch power/CCT
- ▶ Protections: SCP/OTP/OVP
- ▶ 6kV/6kV surge protection
- ▶ AUX: 12Vdc
- ▶ IP65
- ▶ 5 years warranty

Power Levels

80W 120W 150W 200W 240W 320W

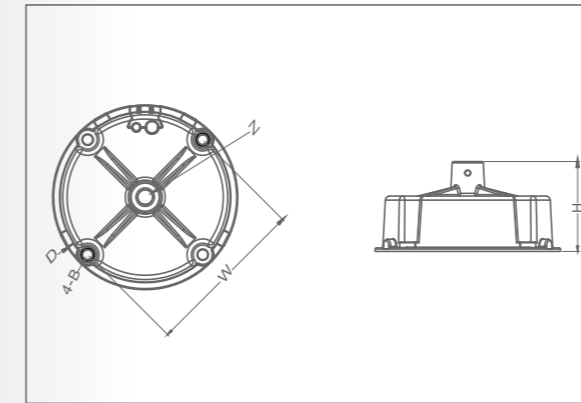
Applications

Highbay

Certificates



Dimension



Unites : mm

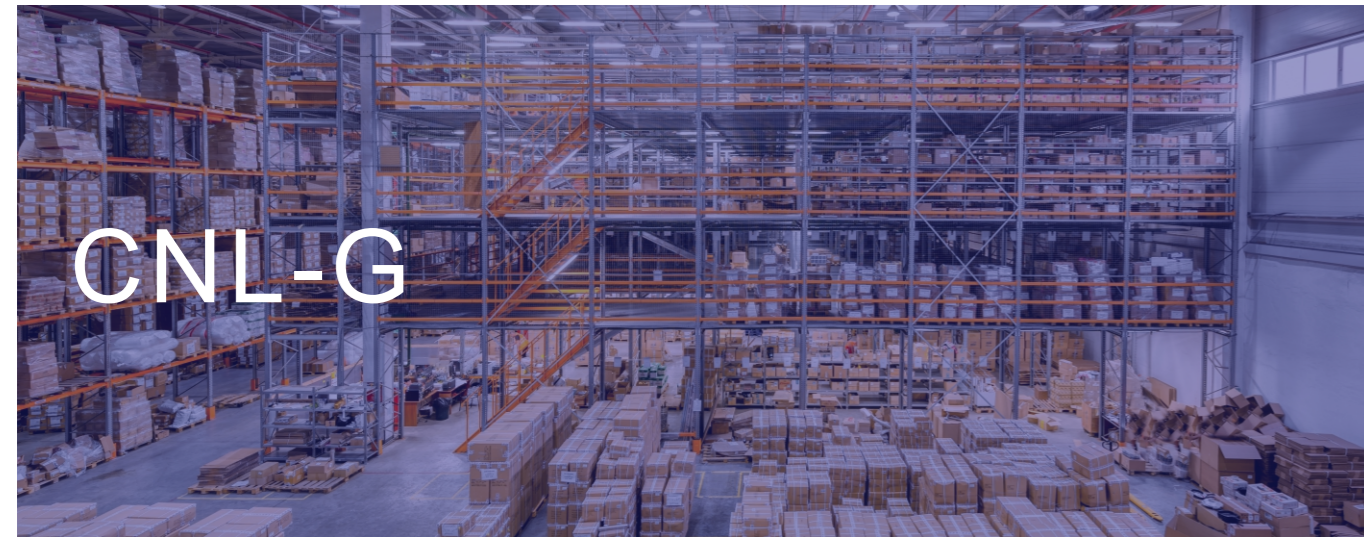
Model	D	4-B	Z	W	H
80/120/150/200/240CNL-E	128	7	M10/G1/2	113	62.5
320CNL-E	146	7	M10/G1/2	132	61.8

Specification

Output Power(W)	Model	Output Voltage(V)	Output Current(A)	Efficiency	PF	Dimension (φ*H)mm
80	SS-80CNL-E260*	180-260	0.28-0.4	94.0%	0.97	128*62.5
120	SS-120CNL-E260*	180-260	0.42-0.6	95.0%	0.97	128*62.5
150	SS-150CNL-E260*	180-260	0.52-0.75	95.0%	0.97	128*62.5
200	SS-200CNL-E260*	180-260	0.7-1.0	96.0%	0.97	128*62.5
240	SS-240CNL-E260*	180-260	0.84-1.2	96.0%	0.97	128*62.5
320	SS-320CNL-E260*	180-260	1.1-1.5	95.5%	0.97	146*61.8
120-100-80 100-80-60	SS-120CNL-E260BHB/BHD	180-260	0.22-0.6	94.0%	0.97	128*62.5
150-120-80 150-100-80	SS-150CNL-E260BHB/BHD	180-260	0.28-0.75	95.0%	0.97	128*62.5
200-150-100	SS-200CNL-E260BHB/BHD	180-260	0.36-1.0	95.0%	0.97	128*62.5
240-200-150	SS-240CNL-E260BHB/BHD	180-260	0.55-1.2	96.0%	0.97	128*62.5
320-240-200	SS-320CNL-E260BHB/BHD	180-260	1.1-1.5	95.5%	0.97	146*61.8

Note: *=Blank, ON-OFF version, *=B, 1-10V/PWM/Resistor dimming, *=BH, 0-10V/PWM/Resistor dimming+AUX
 D, DALI dimming, *=BHB, 0-10V/PWM/Resistor dimming+AUX+DIP switch power
 BHD, 0-10V/PWM/Resistor dimming+AUX+DIP switch power/CCT
 Please refer to spec for more details.

CNL-G Series-----Circle, Non-isolated, 100-240W, 220-240Vac, DIP switch power/CCT, 0-10V/PWM/Resistor dimming, IP65



Features

- ▶ Input voltage: 220-240Vac
- ▶ Efficiency up to 95%
- ▶ Non-isolated, flicker free
- ▶ 0-10V/PWM/Resistor dimming, without afterglow(optional)
- ▶ Function: DIP switch power/CCT
- ▶ Protections: SCP/OTP/OVP
- ▶ 6kV/6kV surge protection
- ▶ AUX: 12Vdc
- ▶ IP65
- ▶ 5 years warranty

Power Levels

100W 150W 200W 240W

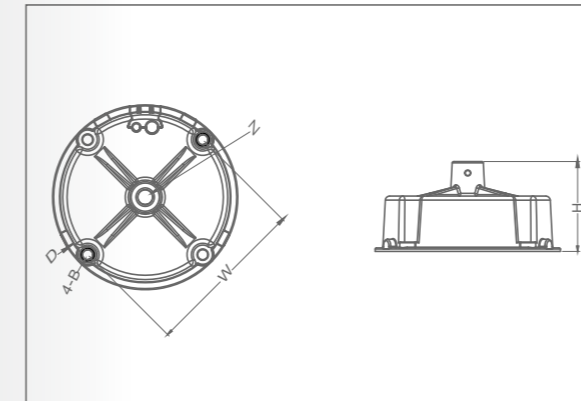
Applications

Highbay

Certificates



Dimension



Units : mm

Model	D	4-B	Z	W	H
100/150/200/240CNL-G	128	7	M10/G1/2	113	62.5

Specification

Output Power(W)	Model	Output Voltage(V)	Output Current(A)	Efficiency	PF	Dimension (φ*H)mm
100	SS-100CNL-G260*	180-260	0.35-0.5	94.5%	0.97	128*62.5
150	SS-150CNL-G260*	180-260	0.52-0.75	94.5%	0.97	128*62.5
200	SS-200CNL-G260*	180-260	0.7-1.0	95.0%	0.97	128*62.5
240	SS-240CNL-G260*	180-260	0.84-1.2	95.0%	0.97	128*62.5

Note: *=Blank, ON-OFF version
 B, 1-10V/PWM/Resistor dimming
 BB, 1-10V/PWM/Resistor dimming+DIP switch power
 BD, 1-10V/PWM/Resistor dimming+DIP switch power/CCT
 FB, DIP switch power
 FD, DIP switch power/CCT
 BH, 0-10V/PWM/Resistor dimming+AUX
 BHB, 0-10V/PWM/Resistor dimming+AUX+DIP switch power
 BHD, 0-10V/PWM/Resistor dimming+AUX+DIP switch power/CCT
 Please refer to spec for more details.

SN-E Series-----Circle, Non-isolated, 120-320W, 120-347Vac, DIP switch power/CCT, 0-10V/PWM/Resistor dimming, IP65



Features

- ▶ Input voltage: 120-347Vac
- ▶ Efficiency up to 96%
- ▶ Non-isolated, flicker free
- ▶ 0-10V/PWM/Resistor dimming, without afterglow
- ▶ Function: DIP switch power/CCT
- ▶ Protections: SCP/OTP/IUVP
- ▶ 6kV/6kV surge protection
- ▶ AUX: 12Vdc
- ▶ IP65
- ▶ 5 years warranty

Power Levels

120W 150W 200W 240W 320W

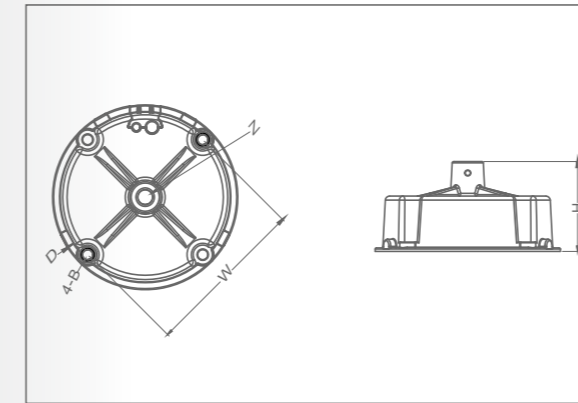
Applications

Highbay

Certificates



Dimension



Model	D	4-B	Z	Units : mm	
				W	H
120/150/200/240SN-E	136	7	M10/G1/2	113	62.5
320SN-E	146	7	M10/G1/2	132	61.8

Specification

Output Power(W)	Model	Output Voltage(V)	Output Current(A)	Efficiency	PF	Dimension (φ*H)mm
120	SS-120SN-E260*	180-260	0.42-0.6	94.0%	0.97	136*62.5
150	SS-150SN-E260*	180-260	0.52-0.75	95.0%	0.97	136*62.5
200	SS-200SN-E260*	180-260	0.7-1.0	95.0%	0.97	136*62.5
240	SS-240SN-E260*	180-260	0.84-1.2	96.0%	0.97	136*62.5
320	SS-320SN-E260*	180-260	1.1-1.5	95.5%	0.97	146*61.8

Note: *=BH, 0-10V/PWM/Resistor dimming+AUX
 BHB, 0-10V/PWM/Resistor dimming+AUX+DIP switch power
 BHD, 0-10V/PWM/Resistor dimming+AUX+DIP switch power/CCT
 Please refer to spec for more details.

CNS Series -----Circle, Non-isolated, 120-320W, 277-480Vac, DIP switch power/CCT, 0-10V/PWM/Resistor dimming, IP65



Features

- ▶ Input voltage: 277-480Vac
- ▶ Efficiency up to 95%
- ▶ Non-isolated, flicker free
- ▶ 0-10V/PWM/Resistor dimming, without afterglow
- ▶ Programmable
- ▶ Function: DIP switch power/CCT
- ▶ Protections: SCP/OTP
- ▶ 6kV/6kV surge protection
- ▶ AUX: 12Vdc
- ▶ IP65
- ▶ 5 years warranty

Power Levels

120W 150W 200W 240W 320W

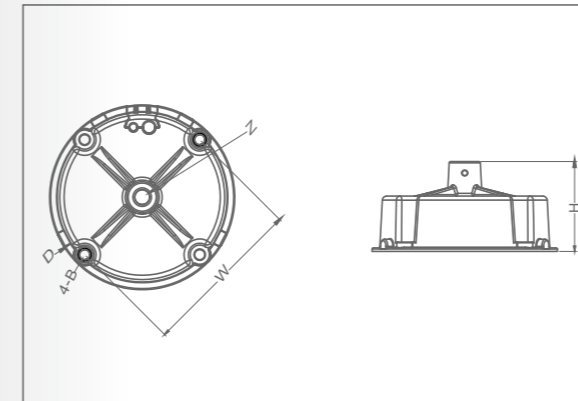
Applications

Highbay

Certificates



Dimension



Units : mm

Model	D	4-B	Z	W	H
120/150/200/240CNS	136	7	M10/G1/2	113	62.5
320CNS	146	7	M12/G1/2	132	61.8

Specification

Output Power(W)	Model	Output Voltage(V)	Output Current(A)	Efficiency	PF	Dimension (φ*H)mm
120	SS-120CNS-260*	180-260	0.3-0.6	94.0%	0.95	136*62.5
150	SS-150CNS-260*	180-260	0.375-0.75	95.0%	0.95	136*62.5
200	SS-200CNS-260*	180-260	0.5-1.0	95.0%	0.95	136*62.5
240	SS-240CNS-260*	180-260	0.6-1.2	95.0%	0.95	136*62.5
320	SS-320CNS-260*	180-260	0.8-1.5	95.5%	0.95	146*61.8

Note: *=BHB, 0-10V/PWM/Resistor dimming+AUX+DIP switch power
 BHD, 0-10V/PWM/Resistor dimming+AUX+DIP switch power/CCT
 Please refer to spec for more details.

SA Series----Circle, 100-240W, 277-480Vac, 0-10V/PWM/Resistor dimming, IP65



Features

- ▶ Input voltage: 277-480Vac
- ▶ Efficiency to up 93%
- ▶ 0-10V/PWM/Resistor dimming, dim to off
- ▶ Protections: SCP/OTP/IUVP
- ▶ 4kV/4kV surge protection
- ▶ Type HL, suitable for hazardous locations
- ▶ IP65
- ▶ 5 years warranty

Power Levels

100W 150W 240W

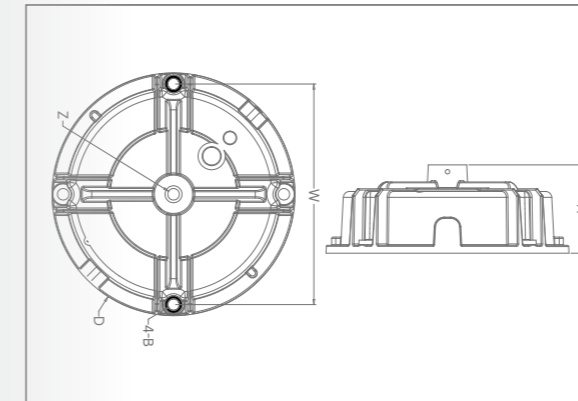
Applications

Highbay

Certificates



Dimension



Units : mm

Model	D	4-B	Z	W	H
120/150SA	146	7	12	132	61.8
240SA	178.4	8.5	12	162	66.8

Specification

Output Power(W)	Model	Output Voltage(V)	Output Current(A)	Efficiency	PF	Dimension (φ*H)mm
100	SS-100SA-56BH	22-56	1.2-3.0	92.0%	0.95	146.2*61.8
150	SS-150SA-56BH	22-56	2.1-4.2	92.0%	0.95	146.2*61.8
240	SS-240SA-56BH	32-56	3.3-6.7	93.0%	0.95	178.4*66.8

Note: *=BH, 0-10V/PWM/Resistor dimming+AUX
Please refer to spec for more details.

CA Series--Circle, 100-480W, 100-277Vac, 0-10V/PWM/Resistor/DALI-2 dimming, IP65



特征

- ▶ Input voltage: 100-277Vac
- ▶ Efficiency to up 94%
- ▶ Constent power, flicker free
- ▶ Protections: SCP/OTP/OPP
- ▶ 0-10V/PWM/Resistor dimming, DALI-2
- ▶ AUX: 12Vdc
- ▶ Standby power<0.5W
- ▶ 6kV/6kV surge protection
- ▶ Type HL, suitable for hazardous locations
- ▶ IP65
- ▶ 5 years warranty

Power Levels

100W 150W 200W 240W 300W 480W

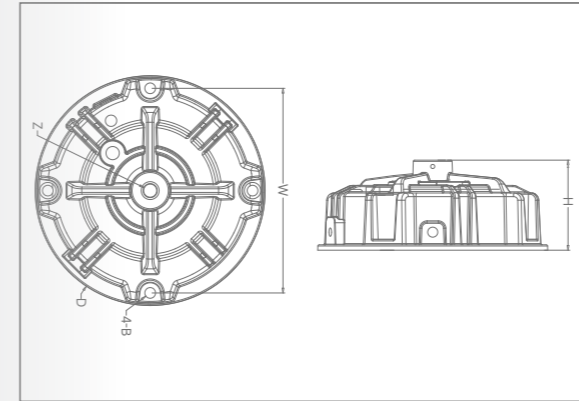
Applications

Highbay

Certificates



Dimension



Units : mm

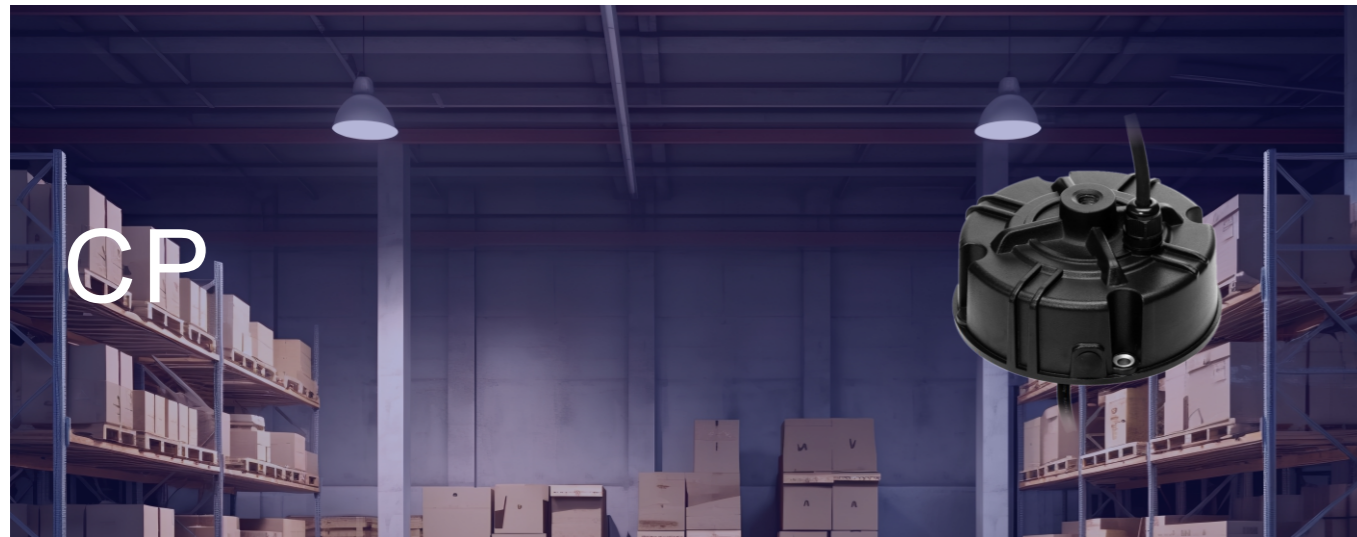
Model	D	4-B	Z	W	H
100CA	132	7	10	113	71.5
150/200CA	151	7	12	132	71.5
240/300CA	182	8.5	12	162	71.5
480CA	208	8.5	20	192	69.5

Specification

Output Power(W)	Model	Output Voltage(V)	Output Current(A)	Efficiency	PF	Dimension (φ*H)mm
100	SS-100CA-56*	28-56	1.5-3.0	90.0%	0.98	132*71.5
150	SS-150CA-56*	28-56	2.1-4.2	92.0%	0.97	151*71.5
200	SS-200CA-56*	28-56	2.8-5.6	92.0%	0.97	151*71.5
240	SS-240CA-56*	28-56	3.3-6.7	93.0%	0.98	182*71.5
300	SS-300CA-56*	28-56	4.2-8.4	94.0%	0.98	182*71.5
480	SS-480CA-228*	114-228	2.1-2.8	94.0%	0.98	208*69.5

Note: * =BH, 0-10V/PWM/Resistor dimming+AUX
DH, DALI dimming+AUX
Please refer to spec for more details.

CP Series----Circle, 100-240W, 120-277Vac, 0-10V/PWM/Resistor dimming, IP65



Features

- ▶ Input voltage: 120-277Vac
- ▶ Efficiency to up 93%
- ▶ Flicker free
- ▶ Protections: SCP/OTP/OVP/OPP
- ▶ 0-10V/PWM/Resistor dimming
- ▶ 4kV/4kV surge protection
- ▶ IP65
- ▶ 5 years warranty

Power Levels

100W 150W 200W 240W

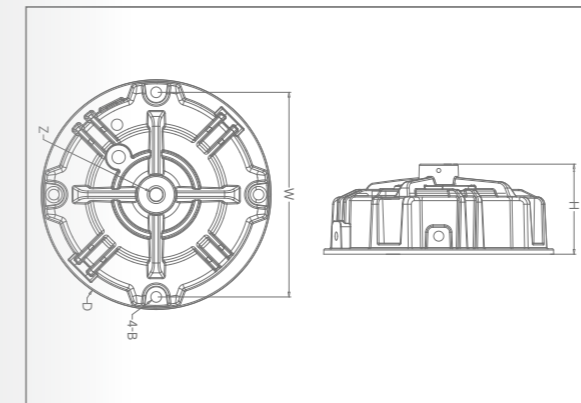
Applications

Highbay

Certificates



Dimension



Units : mm

Model	D	4-B	Z	W	H
100CP	132	7	10	113	71.5
150/200CP	151	7	12	132	71.5
240CP	182	8.5	12	162	71.5

Specification

Output Power(W)	Model	Output Voltage(V)	Output Current(A)	Efficiency	PF	Dimension (φ*H)mm
100	SS-100CP-54B	28-54	1.5-3.0	90.0%	0.97	132*71.5
150	SS-150CP-54B	28-54	2.1-4.2	93.0%	0.97	151*71.5
200	SS-200CP-54B	28-54	2.8-5.6	93.0%	0.97	151*71.5
240	SS-240CP-54B	28-54	3.3-6.7	93.0%	0.98	182*71.5

Note: *B, 1-10V/PWM/Resistor dimming
Please refer to spec for more details.

CF Series-----Circle, 40-120W, 100-240Vac, Explosion proof drive, 0-10V/PWM/Resistor dimming, IP65



Features

- ▶ Input voltage: 100-240Vac
- ▶ Efficiency up to 91.8%
- ▶ 0-10V/PWM/Resistor dimming, dim to off
- ▶ Protections: SCP/OTP/OVP/IUVP
- ▶ 6kV/4kV surge protection
- ▶ AUX: 12Vdc
- ▶ IP65
- ▶ 5 years warranty

Power Levels

40W 60W 80W 120W

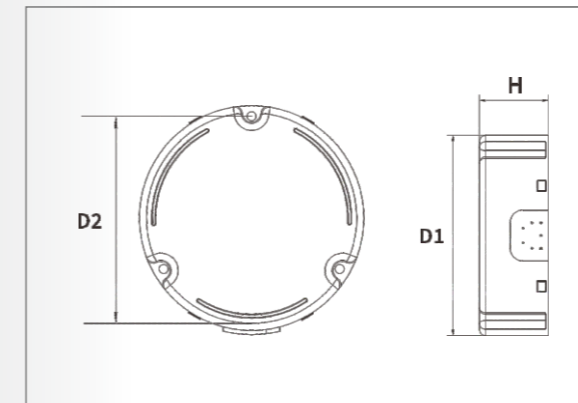
Applications

Explosion proof light

Certificates



Dimension



Units : mm

Model	D1	D2	H
40CF	75	65	38
60CF	90	80	38
80/120CF	110	100	38

Specification

Output Power(W)	Model	Output Voltage(V)	Output Current(A)	Efficiency	PF	Dimension (D1*H*D2)mm
40	SS-40CF-58*	30-58	0.42-1.05	91.1%	0.95	75*38*65
60	SS-60CF-58*	30-58	0.6-1.4	90.0%	0.95	90*38*80
80	SS-80CF-58*	30-58	0.83-1.78	91.6%	0.95	110*38*100
120	SS-120CF-58*	30-58	1.05-2.1	91.8%	0.95	110*38*100

Note: *=Blank, ON-OFF version
 BH, 0-10V/PWM/Resistor dimming+AUX
 Please refer to spec for more details.

NH-V Series-----Non-isolated, 80-320W, 100-277Vac,
Smart programming, Connector



Features

- ▶ Input voltage: 100-277Vac
- ▶ Efficiency up to 97%
- ▶ Multi-function can be programmed to reduce SKUs
- ▶ Lifespan: 50k hours@Tc=85°C
- ▶ Function: Dip-switch/CCT, Timer dimming, IEC, ELA, SSA, CLO
- ▶ Protections: IUVP/OTP/OVP/OCP
- ▶ 6kV/6kV surge protection
- ▶ Standby power<0.5W
- ▶ 5 years warranty

Power Levels

80W 100W 150W 200W 240W 320W

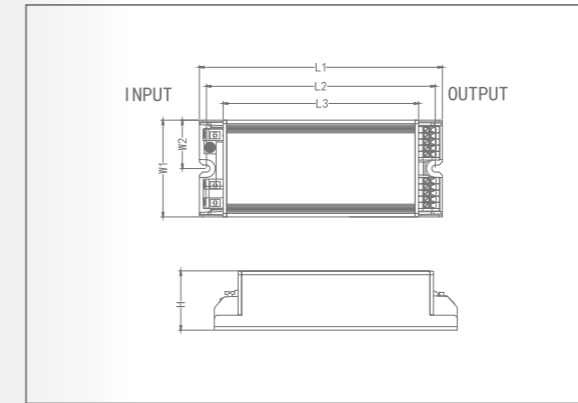
Applications

Linear highbay, Flood light, Shoebox light, Wallpack

Certificates



Dimension



Units : mm

Model	L1	L2	L3	W1	W2	H
80/100NH-V	138	130	111	55	27.5	32
150NH-V	160	152	133	55	27.5	32
200NH-V	172	164	145	55	27.5	34
240NH-V	192	184	165	55	27.5	34
320NH-V	225	217	198	55	27.5	34

Specification

Output Power(W)	Model	Output Voltage(V)	Output Current(A)	Efficiency	PF	Dimension (L*W*H)mm
80	SS-80NH-V300*	180-300	0.1-0.4	97.0%	0.97	138*55*32
100	SS-100NH-V300*	180-300	0.125-0.5	97.0%	0.97	138*55*32
150	SS-150NH-V300*	180-300	0.187-0.75	97.0%	0.97	160*55*32
200	SS-200NH-V300*	180-300	0.25-1.0	97.0%	0.97	172*55*34
240	SS-240NH-V300*	180-300	0.3-1.2	97.0%	0.97	192*55*34
320	SS-320NH-V300*	180-300	0.375-1.5	97.0%	0.97	225*55*34

Note:*=BHB, 0-10V/PWM/Resistor dimming+AUX(12V)+DIP switch for power adjustable and CCT
A, 0-10V/PWM/Resistor dimming+AUX+DIP switch power+Sensor+NTC
Please refer to spec for more details.

NM-V Series-----Non-isolated, 80-320W, 120-347Vac,
Smart programming, Connector



Features

- ▶ Input voltage: 120-347Vac
- ▶ Efficiency up to 97%
- ▶ Multi-function can be programmed to reduce SKUs
- ▶ Lifespan: 50k hours@Tc=85°C
- ▶ Function: Dip-switch/CCT, Timer dimming, IEC, ELA, SSA, CLO
- ▶ Protections: IUVP/OTP/OVP/OCP
- ▶ 6kV/6kV surge protection
- ▶ Standby power<0.5W
- ▶ 5 years warranty

Power Levels

80W 100W 150W 200W 240W 320W

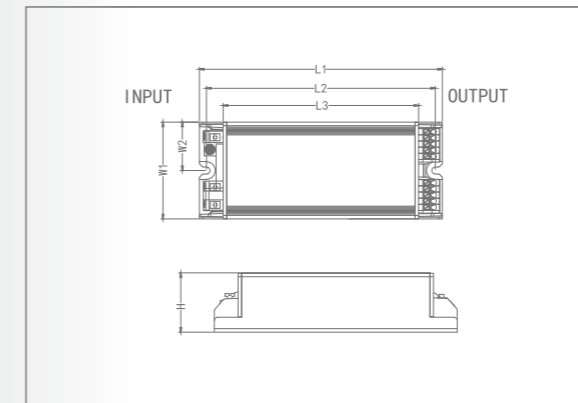
Applications

Linear highbay, Flood light, Shoebox light, Wallpack

Certificates



Dimension



Units : mm

Model	L1	L2	L3	W1	W2	H
80/100NM-V	138	130	111	55	27.5	32
150NM-V	160	152	133	55	27.5	32
200NM-V	172	164	145	55	27.5	34
240NM-V	192	184	165	55	27.5	34
320NM-V	225	217	198	55	27.5	34

Specification

Output Power(W)	Model	Output Voltage(V)	Output Current(A)	Efficiency	PF	Dimension (L*W*H)mm
80	SS-80NM-V300A	180-300	0.1-0.4	97.0%	0.97	138*55*32
100	SS-100NM-V300A	180-300	0.125-0.5	97.0%	0.97	138*55*32
150	SS-150NM-V300A	180-300	0.187-0.75	97.0%	0.97	160*55*32
200	SS-200NM-V300A	180-300	0.25-1.0	97.0%	0.97	172*55*34
240	SS-240NM-V300A	180-300	0.3-1.2	97.0%	0.97	192*55*34
320	SS-320NM-V300A	180-300	0.375-1.5	97.0%	0.97	225*55*34

Note: *=A, 0-10V/PWM/Resistor dimming+ AUX+DIP Switch Power+Sensor+NTC
Please refer to spec for more details.

NL-E Series-----Non-isolated, 40-240W, 120-277Vac, 0-10V/PWM/Resistor dimming



Features

- ▶ Input Voltage: 120-277Vac
- ▶ Efficiency up to 95%
- ▶ Flicker free
- ▶ 0-10V/PWM/Resistor isolated dimming
- ▶ Protections: SCP/OTP/OVP
- ▶ 6kV/6kV surge protection
- ▶ 5 year warranty

Power Levels

40W 60W 75W 80W 100W 150W 200W 240W

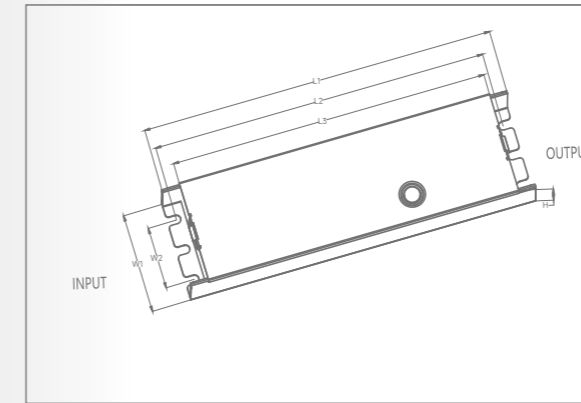
Applications

Linear highbay, Shoebox light, Wallpack, Flood light

Certificates



Dimension



Units : mm

Models	L1	L2	L3	W1	W2	H
40/60NL-E	130	122.5	91	46	32	30
80NL-E	148	140.5	109	46	32	30
75/100NL-E	164	157.5	148	45	32	31
150NL-E	185	178	168.5	45	32	31
200/240NL-E	197	190	181	45	32	31

Specification

Output Power(W)	Model	Output Voltage(V)	Output Current(A)	Efficiency	PF	Dimension (L*W*H)mm
40	SS-40NL-E130B	90-130	0.25-0.4	91.0%	0.97	130*46*30
60	SS-60NL-E130B	90-130	0.4-0.6	91.5%	0.97	130*46*30
80	SS-80NL-E130B	90-130	0.52-0.8	91.5%	0.96	148*46*30
75	SS-75NL-E260B/BB/BP/BBP	180-260	0.22-0.38	92.0%	0.97	164*45*31
100	SS-100NL-E260B/BB/BP/BBP	180-260	0.3-0.5	93.0%	0.97	164*45*31
150	SS-150NL-E260B/BB/BP/BBP	180-260	0.525-0.75	95.0%	0.97	185*45*31
200	SS-200NL-E260B/BB/BP/BBP	180-260	0.7-1.0	95.0%	0.97	197*45*31
240	SS-240NL-E260B/BB/BP/BBP	180-260	0.84-1.2	95.0%	0.97	197*45*31

Note: *=B, 0-10V/PWM/Resistor dimming,
 BB, 0-10V/PWM/Resistor dimming+ DIP switch power
 BP, 0-10V/PWM/Resistor dimming+Sensor
 BBP, 0-10V/PWM/Resistor dimming+DIP switch power+Sensor
 Please refer to spec for more details.

NH-E Series-----Non-isolated, 60-450W, 120-277Vac, 0-10V/PWM/Resistor/DALI-2 dimming, DIP Switch Power/Sensor



Features

- ▶ Input Voltage: 120-277Vac
- ▶ Efficiency up to 95%
- ▶ Non-isolated, flicker free
- ▶ 0-10V/PWM/Resistor isolated dimming, DALI-2, DIP switch power/Sensor
- ▶ Protections: SCP/OTP/OVP
- ▶ AUX: 12Vdc
- ▶ 6kV/6kV surge protection
- ▶ Standby power<0.5W
- ▶ 5 years warranty

Power Levels

60W 80W 120W 160W 200W 240W 320W 450W

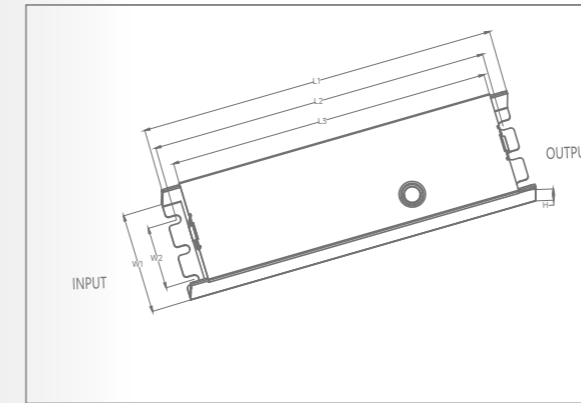
Applications

Linear highbay, Shoebox light, Wallpack, Flood light

Certificates



Dimension



Units : mm

Model	L1	L2	L3	W1	W2	H
80NH-E	164	157	149	45	32	31
120/160NH-E	192	185	176.5	45	32	34
200/240NH-E	220	213	205	45	32	34
320NH-E	230	223	215	45	32	34
450NH	237	228	220	40	82.5	20
60/80NH-ED	157	166	157.5	52.5	32	34
120/160NH-ED	185	175.5	167	52.5	32	34
200/240NH-ED	197	187.5	179	52.5	32	34
320NH-ED	220	210.5	202	52.5	32	34

Specification

Output Power(W)	Model	Output Voltage(V)	Output Current(A)	Efficiency	PF	Dimension (L*W*H)mm
80	SS-80NH-E260*	180-260	0.28-0.4	94.0%	0.97	164*45*30
120	SS-120NH-E260*	180-260	0.42-0.6	94.5%	0.97	192*45*34
160	SS-160NH-E260*	180-260	0.56-0.8	94.5%	0.97	192*45*34
200	SS-200NH-E260*	180-260	0.7-1.0	95.0%	0.97	220*45*34
240	SS-240NH-E260*	180-260	0.84-1.2	95.0%	0.97	220*45*34
320	SS-320NH-E260*	180-260	1.1-1.5	96.0%	0.97	230*45*34
450	SS-450NH-360BH	210-360	0.35-1.875	96.0%	0.98	237*82.5*41.5
60	SS-60NH-E260D	180-260	0.23-0.3	93.0%	0.97	150*52.5*34
80	SS-80NH-E260D	180-260	0.28-0.4	94.0%	0.97	150*52.5*34
120	SS-120NH-E260D	180-260	0.42-0.6	95.0%	0.97	175*52.5*34
160	SS-160NH-E260D	180-260	0.56-0.8	95.0%	0.97	175*52.5*34
200	SS-200NH-E260D	180-260	0.7-1.0	95.0%	0.97	197*52.5*34
240	SS-240NH-E260D	180-260	0.84-1.2	95.0%	0.97	197*52.5*34
320	SS-320NH-E260D	180-260	1.1-1.5	95.0%	0.97	220*52.5*34

Note: *=BH, 0-10V/PWM/Resistor dimming+AUX,
 BHB, 0-10V/PWM/Resistor dimming+12V AUX+DIP switch power,
 BHP, 0-10V/PWM/Resistor dimming+12V AUX+Sensor,
 BHBP, 0-10V/PWM/Resistor dimming+12V AUX+DIP switch power+Sensor,
 D, DALI
 Please refer to spec for more details.

NM-A Series-----Non-isolated, 80-320W, 120-347Vac, 0-10V/PWM/Resistor dimming, DIP Switch Power/Sensor



NM-A

Features

- ▶ Input Voltage: 120-347Vac
- ▶ Efficiency up to 96%
- ▶ Non-isolated, flicker free
- ▶ Programmable
- ▶ 0-10V/PWM/Resistor isolated dimming, without afterglow, DIP switch power/Sensor
- ▶ Protections: SCP/OTP/OVP
- ▶ AUX: 12Vdc
- ▶ 6kV/6kV surge protection
- ▶ Standby power<0.5W
- ▶ 5 years warranty

Power Levels

80W 120W 160W 200W 240W 320W

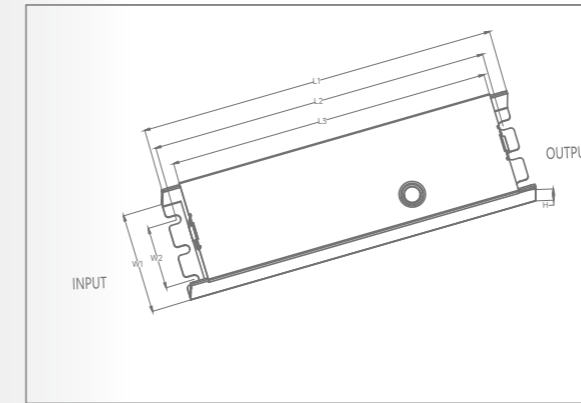
Applications

Linear highbay, Shoebox light, Wallpack, Flood light

Certificates



Dimension



Units : mm

Model	L1	L2	L3	W1	W2	H
80NM-A	164	157.5	148	45	32	31
120/160NM-A	185	175.5	167	52.5	32	34
200/240NM-A	197	187.5	179	52.5	32	34
320NM-A	220	210.5	202	52.5	32	34
80NM-A	164	154.5	146	52.5	32	34
120/160NM-A	192	182.5	174	52.5	32	34
200/240NM-A	220	110.5	202	52.5	32	34
320NM-A	230	220.5	212	52.5	32	34

Specification

Output Power(W)	Model	Output Voltage(V)	Output Current(A)	Efficiency	PF	Dimension (L*W*H)mm
80	SS-80NM-A260*	180-260	0.28-0.4	95.0%	0.97	164*45*31
120	SS-120NM-A260*	180-260	0.42-0.6	95.0%	0.97	185*52.5*34
160	SS-160NM-A260*	180-260	0.56-0.8	95.0%	0.97	185*52.5*34
200	SS-200NM-A260*	180-260	0.7-1.0	95.0%	0.98	197*52.5*34
240	SS-240NM-A260*	180-260	0.84-1.2	95.0%	0.97	197*52.5*34
320	SS-320NM-A260*	180-260	1.1-1.5	96.0%	0.97	220*52.5*34

Note: * =B, 0-10V/PWM/Resistor dimming,
 BB, 0-10V/PWM/Resistor dimming+DIP switch power,
 BP, 0-10V/PWM/Resistor dimming+Sensor,
 BBP, 0-10V/PWM/Resistor dimming+DIP switch power+Sensor
 Please refer to spec for more details.

Output Power(W)	Model	Output Voltage(V)	Output Current(A)	Efficiency	PF	Dimension (L*W*H)mm
80	SS-80NM-A260*	180-260	0.28-0.4	93.0%	0.97	164*52.5*31
120	SS-120NM-A260*	180-260	0.42-0.6	94.0%	0.97	192*52.5*34
160	SS-160NM-A260*	180-260	0.56-0.8	95.0%	0.97	192*52.5*34
200	SS-200NM-A260*	180-260	0.7-1.0	95.0%	0.97	220*52.5*34
240	SS-240NM-A260*	180-260	0.84-1.2	95.0%	0.97	220*52.5*34
320	SS-320NM-A260*	180-260	1.1-1.5	96.0%	0.97	230*52.5*34

Note: * =BH, 0-10V/PWM/Resistor dimming+AUX,
 BHB, 0-10V/PWM/Resistor dimming+AUX+DIP switch power,
 BHP, 0-10V/PWM/Resistor dimming+AUX+Sensor,
 BHBP, 0-10V/PWM/Resistor dimming+AUX+DIP switch power+Sensor
 Please refer to spec for more details.

NS Series-----Non-isolated, 120-320W, 277-480Vac ,
0-10V/PWM/Resistor dimming, DIP Switch Power/Sensor



Features

- ▶ Input voltage: 277-480Vac
- ▶ Efficiency up to 94.5%
- ▶ High PF, flicker free
- ▶ Programmable
- ▶ 0-10V/PWM/Resistor isolated dimming, without afterglow, DIP switch power/Sensor
- ▶ Protections: SCP/OTP/OVP
- ▶ AUX: 12Vdc
- ▶ 6kV/6kV surge protection
- ▶ 5 year warranty

Power Levels

120W 160W 200W 240W 320W

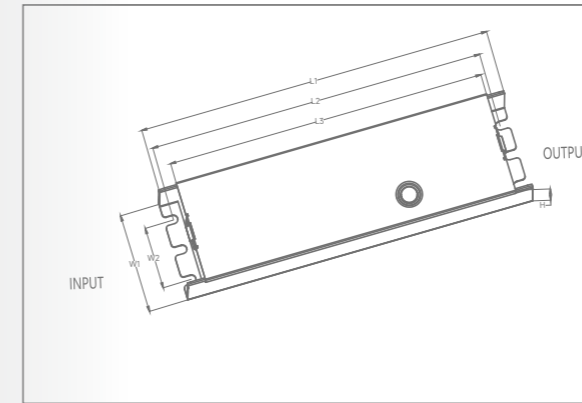
Applications

Highbay

Certificates



Dimension



Units : mm

Model	L1	L2	L3	W1	W2	H
120/160NS	192	182.5	174	32	52.5	34
200/240NS	220	210.5	202	32	52.5	34
320NS	230	220.5	212	32	52.5	34

Specification

Output Power(W)	Model	Output Voltage(V)	Output Current(A)	Efficiency	PF	Dimension (L*W*H)mm
120	SS-120NS-260*	180-260	0.42-0.6	93.0%	0.95	192*52.5*34
160	SS-160NS-260*	180-260	0.56-0.8	94.0%	0.95	192*52.5*34
200	SS-200NS-260*	180-260	0.7-1.0	94.0%	0.95	220*52.5*34
240	SS-240NS-260*	180-260	0.84-1.2	94.0%	0.95	220*52.5*34
320	SS-320NS-260*	180-260	1.05-1.5	94.5%	0.95	230*52.5*34

Note: *=BH, 0-10V/PWM/Resistor dimming+12V AUX,
BHB, 0-10V/PWM/Resistor dimming+12V AUX+DIP switch power,
BHP, 0-10V/PWM/Resistor dimming+12V AUX+Sensor,
BHBP, 0-10V/PWM/Resistor dimming+12V AUX+DIP switch power+Sensor,
Please refer to spec for more details.

L-E Series-----80/100W, 120-277Vac, 0-10V/PWM/Resistor dimming



L-E

Features

- ▶ Input voltage: 120-277Vac
- ▶ Efficiency up to 91%
- ▶ Flicker free
- ▶ 0-10V/PWM/Resistor isolated dimming, dim to off
- ▶ Class 2
- ▶ Protections: SCP/OTP/OVP
- ▶ Type HL, suitable for hazardous locations
- ▶ 6kV/4kV surge protection
- ▶ 5 year warranty

Power Levels

80W 100W

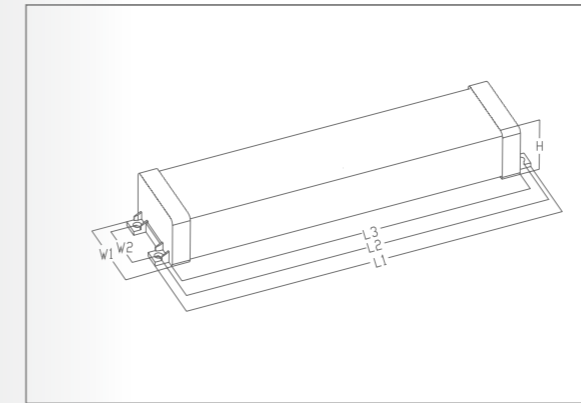
Applications

Linear highbay, Shoebox light, Wallpack, Flood light

Certificates



Dimension



Units : mm

Model	L1	L2	L3	W1	W2	H
80/100L-E	179.5	171	163	45.5	28	31.5

Specification

Output Power(W)	Model	Output Voltage(V)	Output Current(A)	Efficiency	PF	Dimension (L*W*H)mm
80	SS-80L-E54B	28-54	1.48-2.2	89.0%	0.97	179.5*45.5*31.5
100	SS-100L-E42B	28-42	2.38-2.78	91.0%	0.97	179.5*45.5*31.5
100	SS-100L-E54B	38-54	1.85-2.08	91.0%	0.97	179.5*45.5*31.5

Note: *=B, 0-10V/PWM/Resistor dimming
Please refer to spec for more details.

DMXRC-----DMX decoded and converted to 0-10V analog dimming signal



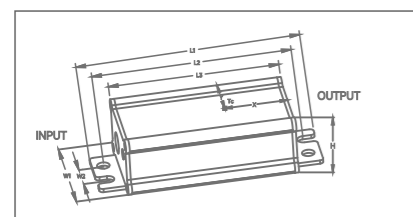
Features

- ▶ DMX512 and RDM interface protocols are supported
- ▶ DMX decoded and converted to 0-10V analog dimming signal
- ▶ Linear and logarithmic dimming curves are optional
- ▶ Supports default output value and off-network hold value mode
- ▶ Supports RDM address setting and DMX512 channel setting
- ▶ Supports onsite intelligent addressing
- ▶ Supports relay mode, bus mode and mixed mode
- ▶ IP67

Certificates



Dimension

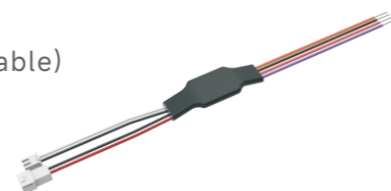


Units : mm

Model	L1	L2	L3	W1	W2	H
DMXRC	90.5	80.5	69.5	38	11	24.5

OPX-S Features

- ▶ Output voltage: 12Vdc
- ▶ Programmable
- ▶ DIY function(Photocell function, DIP switch for power adjustable)
- ▶ 0-10V dimming(positive and negative optional)
- ▶ Compact design,easy to install



SPD-----10kV/20kV surge protection, 100-277Vac



Features

- ▶ Input voltage: 100-277Vac
- ▶ Protection mode: L-N, L-PE, N-PE
- ▶ Suitable for surge protection LED Driver
- ▶ Safety standard: EN61643_11, IEC61000_4_5,GB18802.1
- ▶ IP67

Certificates



Surge

10kV 20kV

Specification

Max.Surge Resistance Voltage (kV)	Model	Max.Surge Resistance Voltage(Line-Line)	Discharge Current In (Max)	Clamping Voltage	Life time (Times)	Connection	Wire Spec	Dimension (L*W*H)mm
10	SS-SPD-US10	10	5	≤1400	15	series	18AWG	43.6*40.5*30
10	SS-SPD-UP10	10	5	≤1400	15	parallel	18AWG	43.6*40.5*30
10	SS-SPD-10kV	10	5	≤1500	60	series	3*1.0mm ²	129.8*37*17.5
20	SS-SPD-20kV	20	10	≤1500	60	series	3*1.0mm ²	84*38*42.5